



SAFEAXIS™
PROXIMITY READERS
MAGNETIC STRIPE READERS

Features

- **Wiegand Compatible (26 Bit Format)**
- **LED for Visual Feedback**
- **Piezo for Audio Feedback**
- **UL 294 Listed**
- **Attractive High-tech Enclosure**
- **Epoxy Sealed for Indoor and Outdoor Use**



Prox-1 or Prox-2



Prox-3 or Prox-4



Prox-5



MSR-1 and MSR-1KP

Descriptions

PROX-1 (Gray) or PROX-2 (Beige) Mullion Mount

The Prox-1 or Prox-2 Special Range (SR) readers are fully featured Wiegand™ compatible readers with LED and annunciator. The Prox-1 or Prox-2 are metal compensated, resulting in minimal loss of read range when mounted on a metal mullion. The read range is 4 - 5.5 inches.

The Prox-1 or Prox-2 electronics are potted in UL Listed potting compound to seal them against adverse environmental conditions. The attractive enclosure comes in dark gray (Prox-1) or Beige (Prox-2) and may be mounted on mullions or single gang electrical boxes or directly to an interior or exterior wall.

PROX-3 (Gray) or PROX-4 (Beige) Single Gang Box Mount

The Prox-3 or Prox-4 are suited for applications where a low profile look makes a difference. An attractive package which looks great outside the board room or at the front gate in the rain or snow.

The Prox-3 or Prox-4 proximity readers from Wheelock offer a stylish look and a superior read range of 6-8 inches. It is designed to mount on a standard single-gang electrical wall box or on the surface of an interior or exterior wall. The Prox-3 or Prox-4 are full featured Wiegand compatible readers with LED. The electronics are potted with UL listed potting compound which protects the reader from harsh environmental conditions.

PROX-5 (Gray) Reader with Integral Key Pad

The Prox-5 is a combination PIN pad and Switchplate style Proximity Reader specifically designed for high security applications that require dual verification.

The Prox-5 proximity reader offers dual functionality and a superior read range of 6-8 inches. It is designed to mount on a standard-single-gang electrical wall box or on the surface of an interior or exterior wall. The entire unit is UL294 listed as an indoor/outdoor access control device. The Prox-5 comes in dark gray and is sure to blend in with the architectural design of any building.

Magnetic Stripe Readers

The MSR-1 and MSR-1KP readers are built to provide years of reliable service in the most demanding access control applications by incorporating a high-quality card reader in a tough metal housing. Both readers provide the ability to connect to a panel with either the clock/data or Wiegand interface, making them compatible with practically every access control panel. The MSR-1KP includes a 12-position keypad.

The reader accepts low or high-coercivity magnetic stripe cards with standard track 2 encoding. Track 1 and track 3 versions are also available.

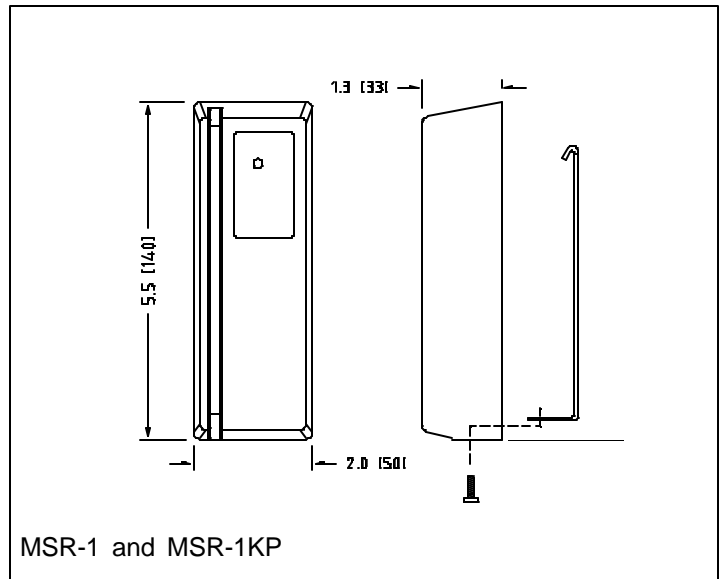
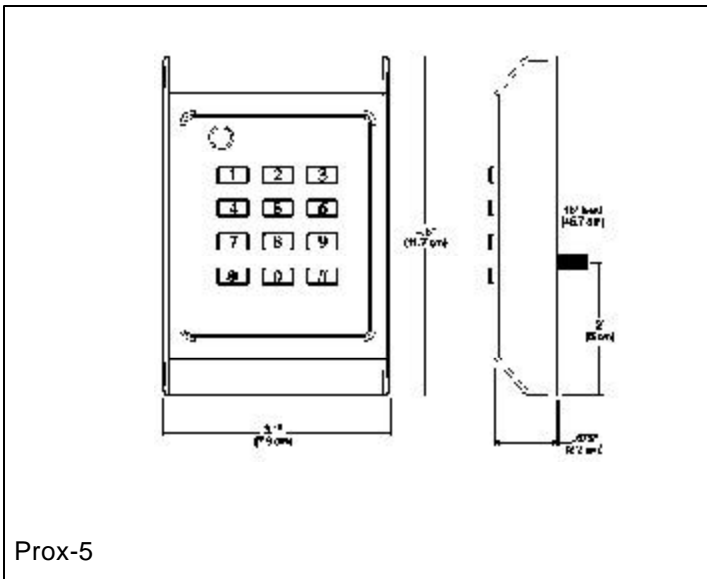
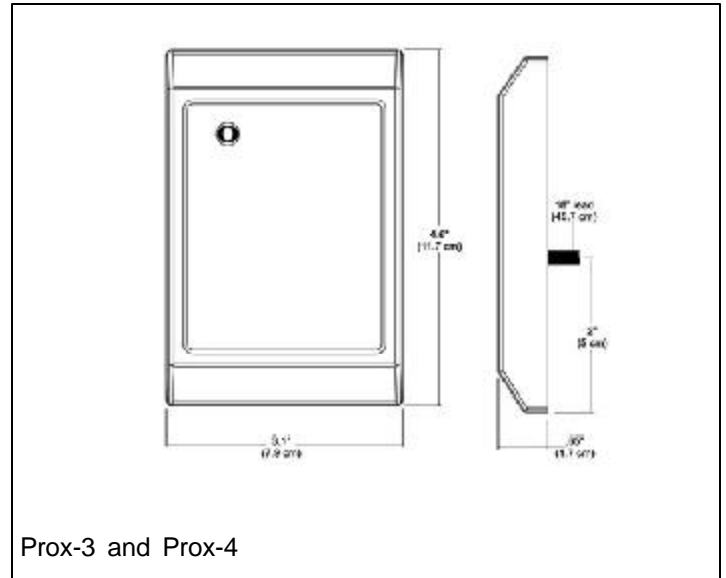
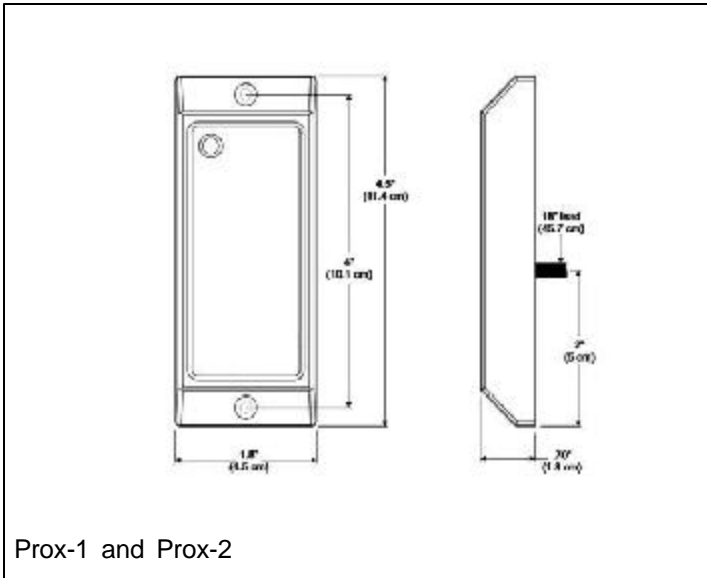
The die cast metal housing is first treated with an anti-corrosion film and then coated with a tough, abrasion resistant finish. The reader is mounted with all stainless steel hardware and is available in either standard light gray or black finish.

Both the MSR-1 and MSR-1KP are rated for operation from -40 °C to +75 °C and are suitable for both indoor and outdoor use.

Ordering Information

Readers		
Prox-1	9824	Proximity Reader Indoor / Outdoor, Dark Gray, Mullion Mount
Prox-2	9825	Proximity Reader Indoor / Outdoor. Beige, Mullion Mount
Prox-3	9826	Proximity Reader Low Profile, Indoor / Outdoor, Dark Gray, Single Gang Box Mount
Prox-4	9827	Proximity Reader Low Profile, Indoor / Outdoor, Beige, Single Gang Box Mount
Prox-5	9828	Proximity Reader with Integral Key Pad, Dark Gray
MSR-1	9830	Magnetic Stripe Reader, Indoor/outdoor, Light Gray
MSR-1KP	9831	Same as above but includes Key Pad, Light Gray
WS	9832	Weather Shield
RWS	9833	Wall Plate for Single Gang Box Mounting
Cards		
Prox-C	9834	Proximity Cards (25)
Prox-K	9835	Proximity Key Chain (25)
MAG-C	9836	Magnetic Stripe Card (25)
Prox-B	9837	Proximity Wafers (50)

Mounting Specifications



Architects and Engineers Specifications

The contractor shall furnish and install Wheelock brand, industry-standard Wiegand-compatible readers. Proximity readers (or Magnetic Stripe) shall be supplied where shown on the plans. (Option – Proximity or Magnetic stripe readers shall be supplied in combination with a PIN Pad, requiring a PIN number to be used with the card to gain entry into an area). The read range for proximity readers shall be five to eight inches, or long range readers shall be required as indicated on the plans. The readers shall be epoxy potted and for indoor and/or outdoor applications. The system shall permit user enrollment through the software without the need of a dedicated enrollment reader.

1. Furnish Wheelock Prox-1 (Gray) or Prox-2 (Beige) Wiegand compatible reader with an LED and sounder. Prox-1 and Prox-2 are metal compensated, resulting in minimal loss of read range when mounted on a metal mullion. The Prox-1 and Prox-2 electronics are potted in UL Listed potting compound to seal them against adverse environmental condition. The attractive enclosures come in dark Gray (Prox-1) or Beige (Prox-2) and may be mounted on mullions or single gang electrical boxes or directly to an interior or exterior wall. The read range shall be 4 - 5.5 inches.
2. Furnish, where shown on the plans, Wheelock low profile card readers Prox-3 (Gray) or Prox-4 (Beige). Read range of 6-8 inches shall be required. It is designed to mount on a standard single-gang electrical wall box or on the surface of an interior or exterior wall. The Prox-3 and Prox-4 are full featured Wiegand compatible readers with LED. The electronics are potted with UL Listed potting compound, which protects the reader from harsh environmental conditions.
3. Furnish, where shown on the plans, Wheelock card reader Prox-5 (Gray) with Integral key pad. The Prox-5 is a combination PIN pad and Switch plate style Proximity Reader specifically designed for high security applications that require dual verification. The Prox-5 proximity reader offers dual functionality and a superior read range of 6-8 inches. It shall mount on a standard-single-gang electrical wall box or on the surface of an interior or exterior wall. The readers shall be UL294 Listed as an indoor /outdoor access control device.
4. Furnish, where shown on the plans, Wheelock Magnetic Stripe card readers MSR-1 or MSR-1KP readers. Both readers shall provide the ability to connect to Safeaxis Controllers. The MSR-1KP includes a 12-position keypad. The readers shall accept low or high-coercivity magnetic stripe cards with standard track 2 encoding. Track 1 and track 3 versions are also available. The die cast metal housing shall be treated with an anti-corrosion film and then coated with an abrasion resistant finish. The reader shall be mounted with all stainless steel hardware and shall be light gray in color. The readers shall be rated for operation from -40 °C to +75 °C and shall be suitable for both indoor and outdoor use.

MADE IN THE USA
1 YEAR WARRANTY

NATIONAL SALES OFFICE
800-631-2148
Canada 800-397-5777
E-Mail: Info@wheelockinc.com
<http://www.wheelockinc.com>



273 BRANCHPORT AVENUE • LONG BRANCH, NJ 07740 • TEL: 732-222-6880 • FAX: 732-222-2588

SA9002 01/02