

**TABLE OF CONTENTS**

<b>StrikeForce Electric Strikes</b> .....	4-13
Series 6000 Electric Strikes .....	4-13
Strikes for Rim Exit Devices .....	5-6
Strikes for Mortise and Cylindrical Locks .....	7-11
Compatibility Charts .....	12
Additional Information .....	13
<b>MAX HOLD Electromagnetic Locks</b> .....	14-27
Series 4000 Direct Hold .....	14-19
Angle Bracket and Filler Plate Applications .....	20-21
Series 4100 Concealed Shear Locks .....	22-23
Series 4200 Surface/Semi-concealed Shear Locks .....	24-25
Mounting Information .....	26-27
<b>Electrical Accessories</b> .....	28-50
Access Control Keypads .....	36
ALK Exit Alarm Kit .....	49
Desk Consoles .....	37
Electric Horns .....	42
Electric Mortise Lock .....	35
Electric Mullions .....	50
Electrical Power Transfers .....	44
Exit Devices—Chexit Delayed Exit .....	32
Exit Devices—Electrical .....	28-29
Exit Devices—Monitoring .....	30-31
Junction Box .....	45
Key Switches .....	39
Keypad Trim .....	34
Magnetic Switch .....	45
Monitor Strikes .....	46-48
Motion Sensor Scan II .....	43
Palm Buttons .....	38
Power Supplies .....	40-41
Pushpad .....	33
Push Wall Switches .....	38
Transformer .....	45
<b>Additional Information</b> .....	
Handing of Doors .....	51
PS872 Wiring .....	51
Wire Size Selection .....	51

# VON DUPRIN® SERIES 6000 ELECTRIC STRIKES

Electric Strikes provide remote release of a locked door. They allow the door to be opened without retracting the latchbolt. This occurs by the releasing of the electric strike lip (sometimes called keeper or gate). When the door closes the beveled latchbolt rides over the lip and falls into the electric strike pocket.

## VON DUPRIN SERIES 6000 ELECTRIC STRIKES

Strikes feature all stainless steel construction, are non-handed and available in 12V or 24V, DC or AC. Strikes are furnished fail secure (FSE) standard, with fail safe (FS) optional. Strike box is adjustable to compensate for any misalignment of the door or frame. Two-piece plug connectors are furnished for ease of installation and for removal during strike servicing.

To assure the proper selection of an electric strike on new applications, lockset compatibility charts are shown on page 12. When using a lockset not listed or when retrofitting a strike to an existing application, consult Von Duprin for application assistance.

## OPTIONS

### AC Operation

SO12 and SO24 are rectifier kits to convert AC voltage to operate the DC solenoids. These kits are field installable and plug in-line to solenoid.

### DS and DS-LC — Dual Switch Monitoring

Dual switch monitoring option has two SPDT contacts, one switch monitors the tripper which is depressed when the latchbolt is inserted into the strike pocket. The second switch monitors the condition of the strike lip, open or closed and locked.

**Two switch options are available — DS and DS-LC.** DS is standard, rated 24V, operating range from 2 ampere to 50 milliampere.

DS-LC low volt gold contact switches for use on applications associated with computer control and monitoring, rated 24V, operating range 50 milliampere or below.

### Fail Secure — FSE

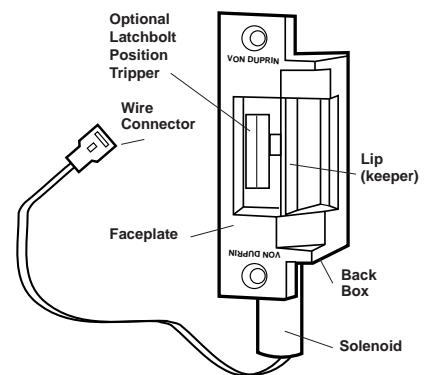
FSE — FAIL-SECURE electric strikes require power to be applied to unlock the strike lip. On loss of power, the strike is locked.

### Fail Safe — FS

FS — FAIL-SAFE electric strikes require power to be applied to lock the strike lip. On loss of power, the strike is unlocked. Building codes prohibit the use of fail-safe strikes on labeled openings.

### Entry Buzzer — EB

EB — Entry buzzer is available for use with fail-secure strikes. Installed in the frame and in parallel with the circuit, the buzzer will sound when the strike is unlocked.



## UL LISTED

UL Listed Burglary-Resistant and Electric Strike for fire doors and frames. A label for single doors and B label for double doors. Strikes are tested in accordance with BHMA Standard 501 and ANSI 156.5, Grade 1, 1984.

## TO ORDER, SPECIFY

1. Model number
2. FS (fail safe, when required)
3. DS or DS-LC (dual switch, when required)
4. Voltage 12VDC or 24VDC
5. SO12 or SO24 (required when using AC)
6. Finish
7. Entry buzzer, FSE only (when required)

**Note:** Information listed is for use on new applications. On retrofit applications, modification of the frame preparation may be required, consult factory.

# VON DUPRIN® 6111, 6112, 6113 ELECTRIC STRIKES

## 6111

Electric strike for use with rim exit devices on single doors or double doors with mullion applications (hollow metal, aluminum or wood). Designed to replace Von Duprin 3031.

## 6112

Electric strike for use with rim exit devices on single door applications (hollow metal, aluminum or wood). Designed to replace Folger Adam 310-4, minor frame prep required.

## 6113

Electric strike for use with rim exit devices on single door applications (hollow metal, aluminum or wood), 1/2" (13mm) stop or greater. Designed to replace Von Duprin 3011 and 3021.

## FEATURES

- All Stainless Steel Construction
- Accepts 3/4" (19mm) Throw Latchbolt
- Six Finishes
- Non-handed
- Fail Secure
- Horizontally Adjustable
- Plug Connectors

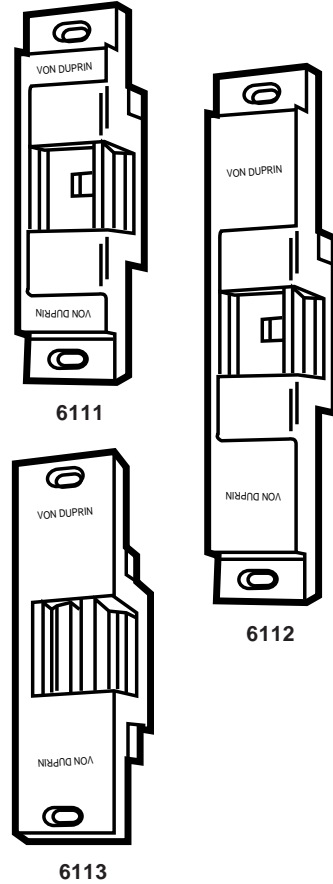
## OPTIONS

- Fail Safe
- Dual Monitor Switches
- Entry Buzzer

## 6111/6113 ELECTRIC STRIKE BLADE STOP SHIM



Use on cased opening or blade stop frame. 1/2" (13mm) aluminum, not for fire door application.



SPECIFICATIONS	12V	24V
Resistance in Ohms ± 10% @ 70°F	21	72
Watt-seated @ 70°F	7.5	8
Amps-seated @ 70°F	.6	.33
Amps-inrush @ 70°F	.6	.33

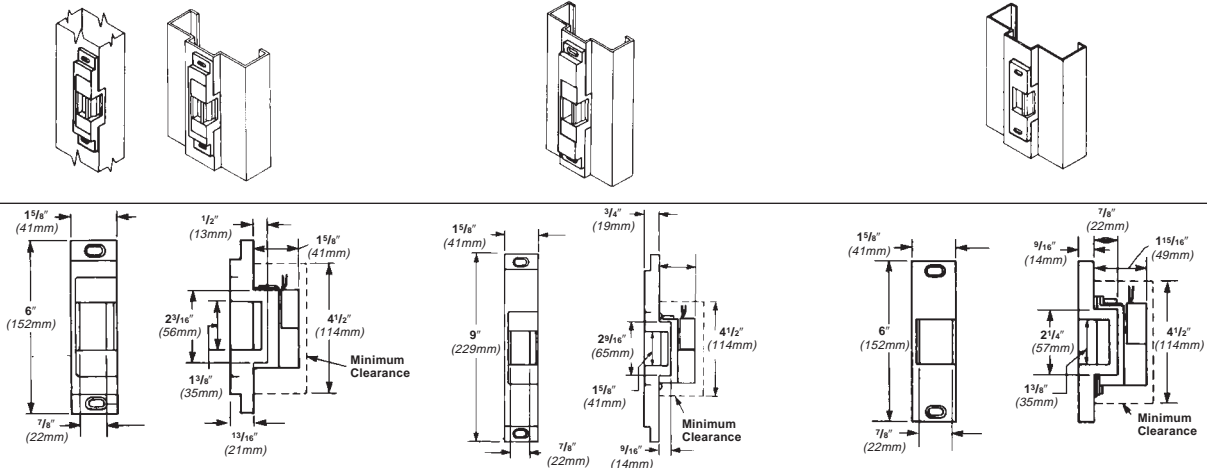
UL listed Burglary Resistant CVXY and Electric Strike for fire doors or frames GXAY (fail secure only). ANSI E59311 Listing applies to Von Duprin rim devices.

## DIMENSIONS AND CONFIGURATIONS

6111

6112

6113



# VON DUPRIN® 6114, 6121 ELECTRIC STRIKES

## 6114

Electric strike for use with rim night latches having up to  $\frac{3}{4}$ " (19mm) bolt throw. Replace Folger Adam 310-5.

## 6121

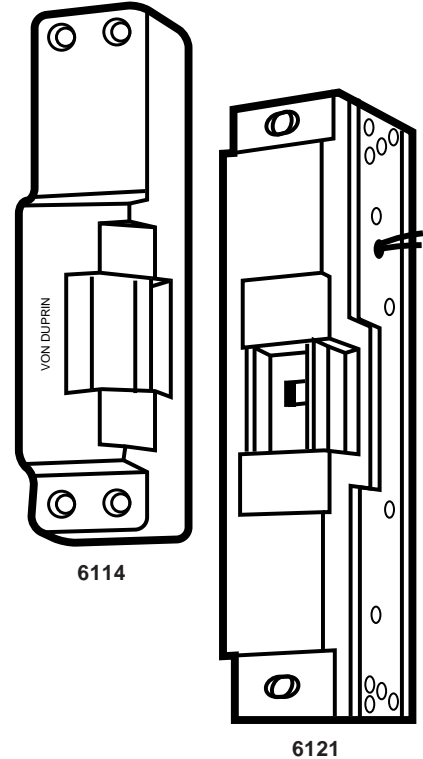
Electric strike for use with rim exit devices on double door applications, without mullion (hollow metal, aluminum or wood). Strike mounts on inactive leaf. Replace Folger Adam 310-4-100.

## FEATURES

- All Stainless Steel Construction
- Accepts  $\frac{3}{4}$ " (19mm) Throw Latchbolt
- Six Finishes
- Non-handed
- Fail Secure
- Horizontally Adjustable
- Plug Connectors

## OPTIONS

- Fail Safe
- Dual Monitor Switches
- Entry Buzzer

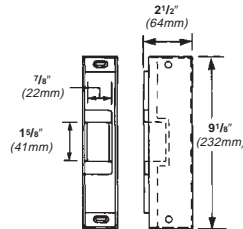
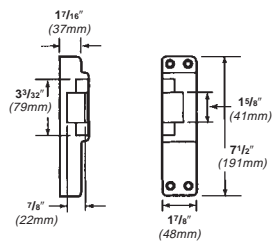
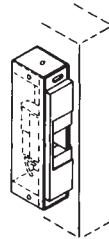
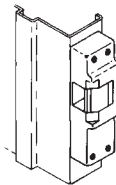


SPECIFICATIONS	12V	24V
Resistance in Ohms $\pm 10\%$ @ 70°F	21	72
Watt-seated @ 70°F	7.5	8
Amps-seated @ 70°F	.6	.33
Amps-inrush @ 70°F	.6	.33

## DIMENSIONS AND CONFIGURATIONS

6114

6121



UL listed Burglary Resistant CVXY. ANSI E59371

# VON DUPRIN®

## 6210, 6211, 6211AL, 6211WF ELECTRIC STRIKES

### 6210

Electric strike for use with mortise locks **without deadbolt** on single door, hollow metal frame applications and using ANSI prep at standard height. Strike pocket inserts are provided to accommodate different manufacturers deadlocking trigger locations.

### 6211

Electric strike for use with mortise locks **without deadbolt** or cylindrical locks on single door, hollow metal frame applications. Designed to replace Von Duprin 3140 or Folger Adam 712.

### 6211AL

Electric strike for use with mortise locks **without deadbolt** or cylindrical locks on single door, aluminum frame applications. Designed to replace Folger Adam 722.

### 6211WF

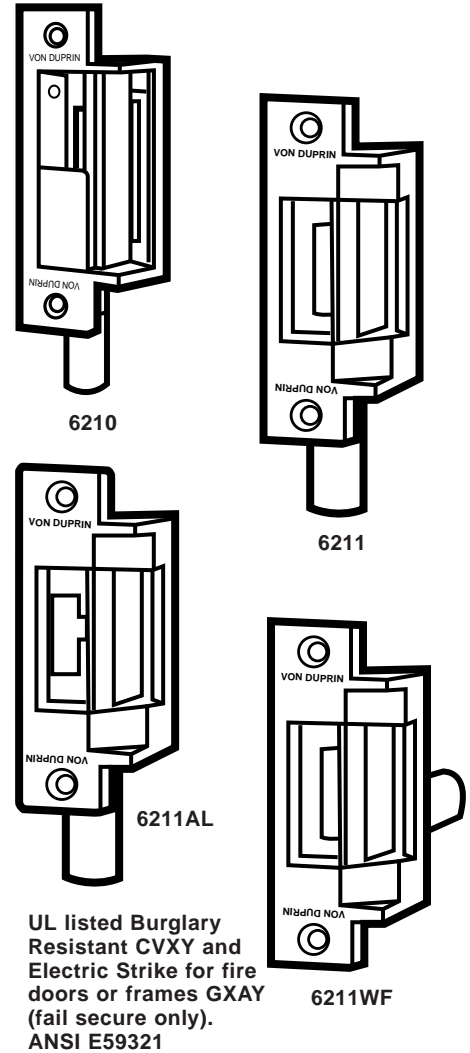
Electric strike for use with mortise locks **without deadbolt** or cylindrical locks on single door, wood frame applications. Designed to replace Folger Adam 732.

### FEATURES

- All Stainless Steel Construction
- Accepts 3/4" (19mm) Throw Latchbolt
- Six Finishes
- Non-handed
- Fail Secure
- Horizontally Adjustable
- Plug Connectors

### OPTIONS

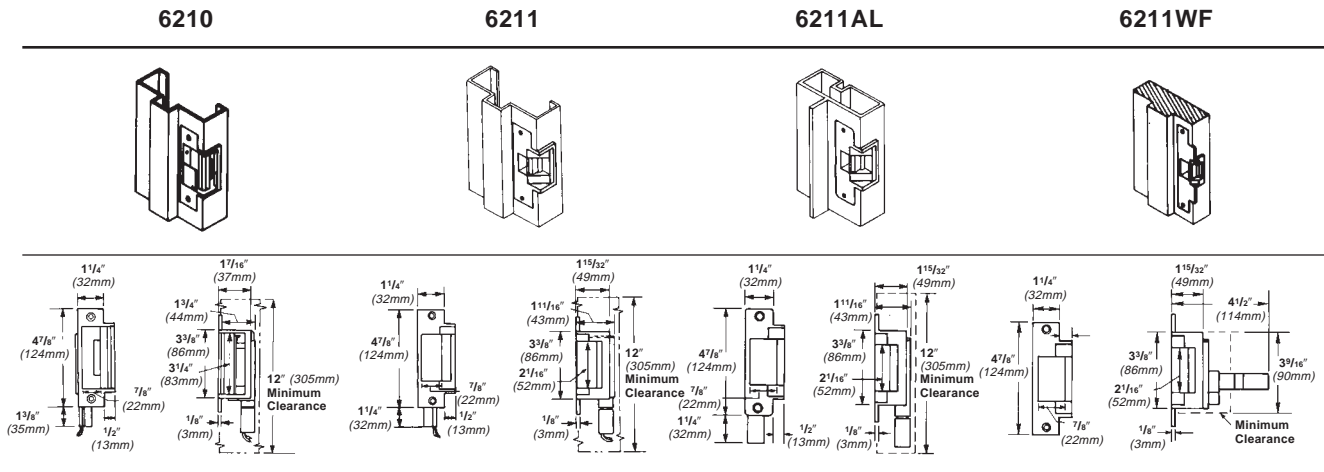
- Fail Safe
- Dual Monitor Switches
- Entry Buzzer



UL listed Burglary Resistant CVXY and Electric Strike for fire doors or frames GXAY (fail secure only). ANSI E59321

SPECIFICATIONS	12V	24V
Resistance in Ohms ± 10% @ 70°F	21	72
Watt-seated @ 70°F	7.5	8
Amps-seated @ 70°F	.6	.33
Amps-inrush @ 70°F	.6	.33

### DIMENSIONS AND CONFIGURATIONS





# VON DUPRIN® 6213, 6214, 6215, 6216 ELECTRIC STRIKES

## 6213

Electric strike for use with mortise locks **without deadbolt** or cylindrical locks on single door, hollow metal or aluminum frame applications (includes wood frame on retrofit application). Designed to replace Von Duprin 3041, 3042, 3061 and 3062.

## 6214

Electric strike for use with mortise locks **without deadbolt** or cylindrical locks on single door, hollow metal or aluminum frame applications (includes wood frame on retrofit applications). Designed to replace Folger Adam 310-2<sup>3</sup>/<sub>4</sub>.

## 6215

Electric strike for use with mortise locks **without deadbolt** or cylindrical locks on single door, hollow metal or aluminum frame applications (includes wood frame on retrofit applications). Designed to replace Folger Adam 310-2.

## 6216

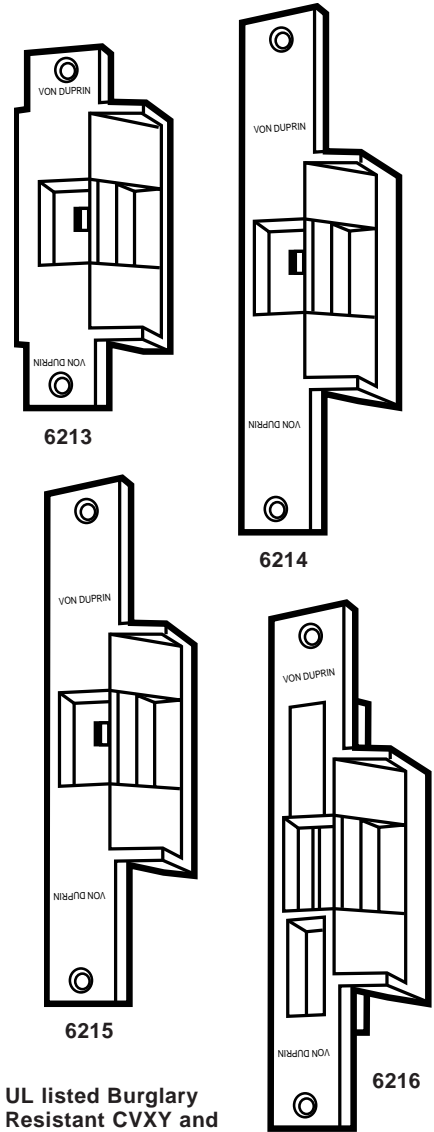
Electric strike for use with mortise locks **with deadbolt**, 1" (25mm) throw, on single door, hollow metal, aluminum or wood frame applications. Deadbolt must be manually operated. Designed to replace Folger Adam 310-3-1.

### FEATURES

- All Stainless Steel Construction
- Accepts 3/4" (19mm) Throw Latchbolt
- Six Finishes
- Non-handed
- Fail Secure
- Horizontally Adjustable
- Plug Connectors

### OPTIONS

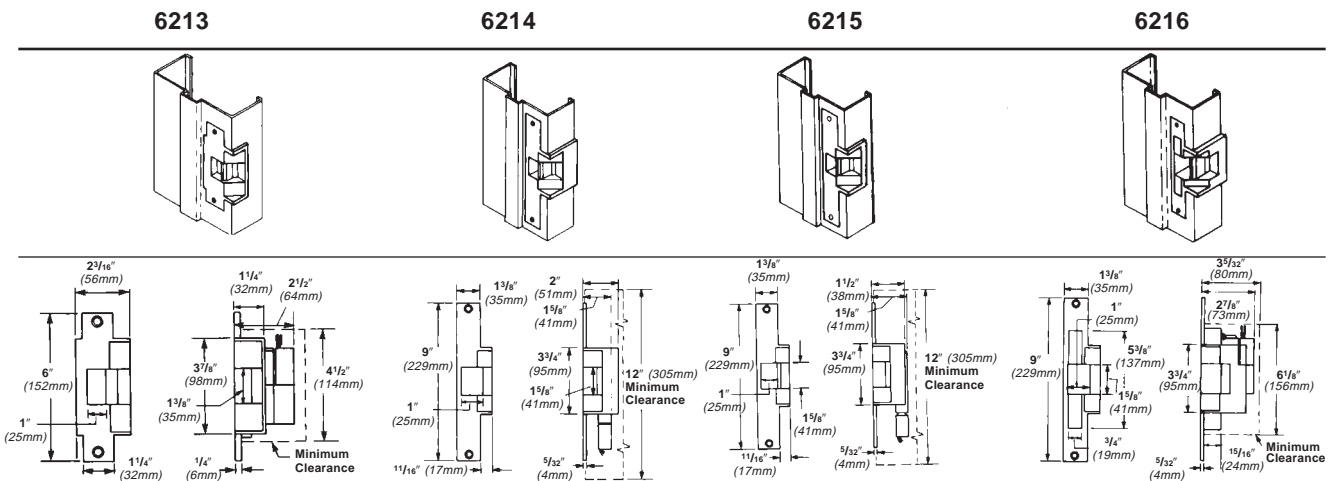
- Fail Safe
- Dual Monitor Switches
- Entry Buzzer



UL listed Burglary Resistant CVXY and Electric Strike for fire doors or frames GXAY (fail secure only). ANSI E59321

SPECIFICATIONS	12V	24V
Resistance in Ohms ± 10% @ 70°F	21	72
Watt-seated @ 70°F	7.5	8
Amps-seated @ 70°F	.6	.33
Amps-inrush @ 70°F	.6	.33

### DIMENSIONS AND CONFIGURATIONS



# VON DUPRIN® 6221, 6222, 6225 ELECTRIC STRIKES

## 6221

Open back electric strike for use with mortise locks **without deadbolt** or cylindrical locks on 1<sup>3</sup>/<sub>4</sub>" (44mm) thick double door (hollow metal, aluminum or wood) applications. Designed to replace Von Duprin 3071 and 3072.

## 6222

Open back electric strike for use with mortise locks **without deadbolt** or cylindrical locks on 1<sup>3</sup>/<sub>4</sub>" (44mm) thick double door (hollow metal, aluminum or wood) applications. Designed to replace Folger Adam 310-2<sup>3</sup>/<sub>4</sub> OB.

## 6225

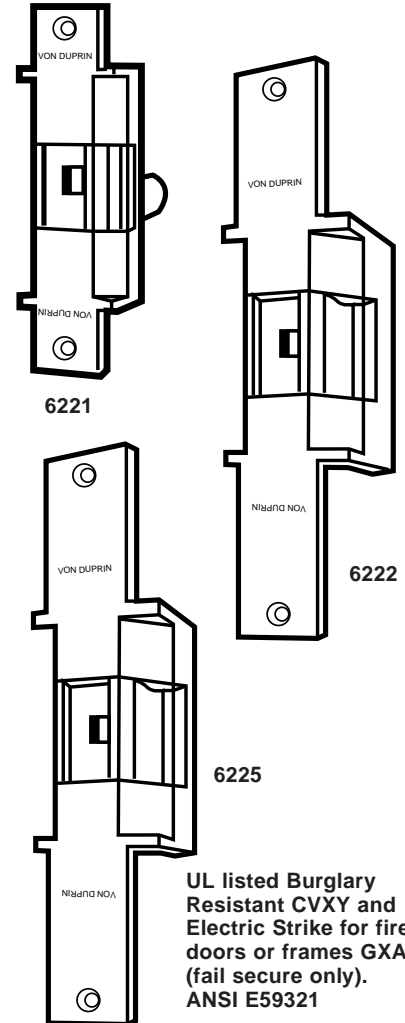
Open back electric strike for use with mortise locks **without deadbolt** or cylindrical locks on 1<sup>3</sup>/<sub>4</sub>" (44mm) thick double door (hollow metal, aluminum or wood) applications. Designed to replace Folger Adam 310-2 OB.

## FEATURES

- All Stainless Steel Construction
- Accepts 3/4" (19mm) Throw Latchbolt
- Six Finishes
- Non-handed
- Fail Secure
- Plug Connectors

## OPTIONS

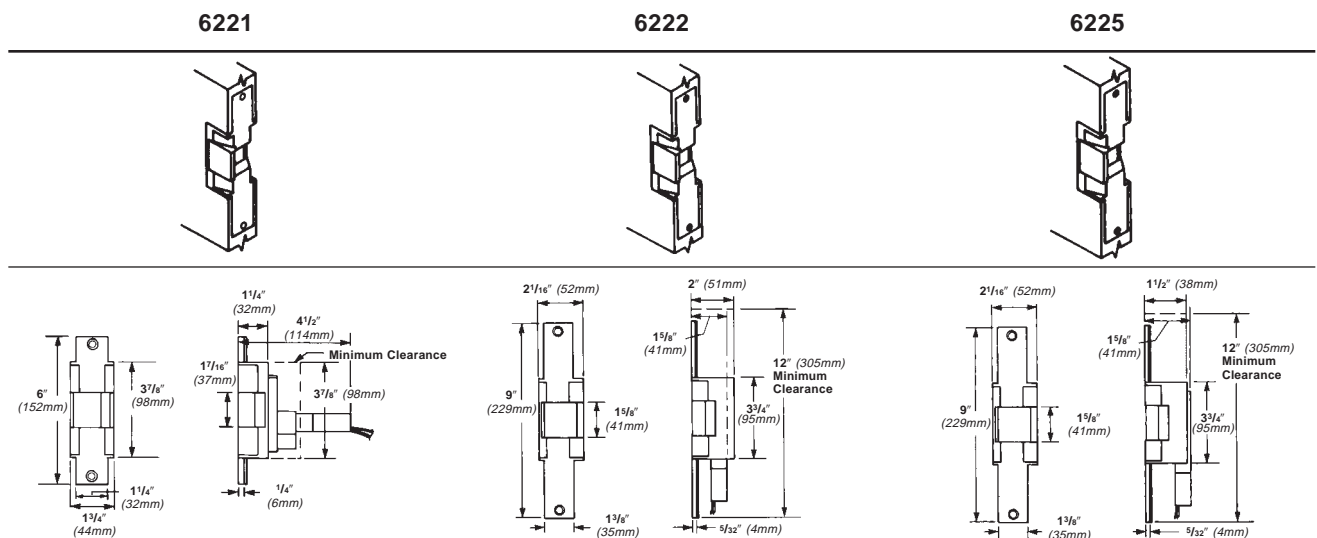
- Fail Safe
- Entry Buzzer



UL listed Burglary Resistant CVXY and Electric Strike for fire doors or frames GXAY (fail secure only). ANSI E59321

SPECIFICATIONS	12V	24V
Resistance in Ohms ± 10% @ 70°F	21	72
Watt-seated @ 70°F	7.5	8
Amps-seated @ 70°F	.6	.33
Amps-inrush @ 70°F	.6	.33

## DIMENSIONS AND CONFIGURATIONS



# VON DUPRIN®

## 6223, 6224, 6224AL, 6226 ELECTRIC STRIKES

### 6223

Closed back electric strike for use with mortise locks **without deadbolt** or cylindrical locks on 1<sup>3</sup>/<sub>4</sub>" (44mm) or 2<sup>1</sup>/<sub>4</sub>" (57mm) thick double door (hollow metal, aluminum or wood) applications. Designed to replace Von Duprin 3091 and 3092, mortise applications only — 4<sup>3</sup>/<sub>4</sub>" (120mm) minimum stile required.

### 6224

Closed back electric strike for use with mortise locks **without deadbolt** or cylindrical locks on 1<sup>3</sup>/<sub>4</sub>" (44mm) or 2<sup>1</sup>/<sub>4</sub>" (57mm) thick double door (hollow metal, aluminum or wood) applications. Designed to replace Folger Adam 310-2<sup>3</sup>/<sub>4</sub>.

### 6224AL

Closed back electric strike for use with mortise locks **without deadbolt** or cylindrical locks on 1<sup>3</sup>/<sub>4</sub>" (44mm) or 2<sup>1</sup>/<sub>4</sub>" (57mm) thick

aluminum double door applications. Designed to replace Folger Adam 310-2RF.

### 6226

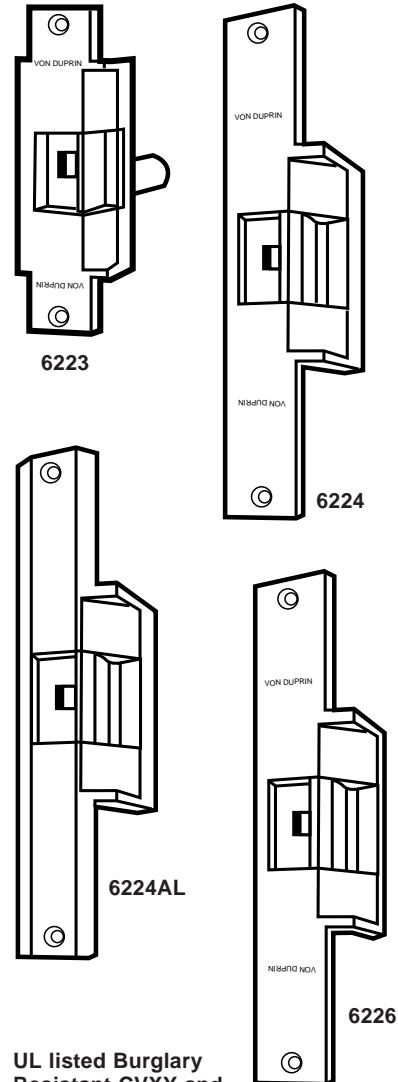
Closed back electric strike for use with mortise locks **without deadbolt** or cylindrical locks on 1<sup>3</sup>/<sub>4</sub>" (44mm) or 2<sup>1</sup>/<sub>4</sub>" (57mm) thick double door (hollow metal, aluminum or wood) applications. Designed to replace Folger Adam 310-2.

### FEATURES

- All Stainless Steel Construction
- Accepts 3/4" (19mm) Throw Latchbolt
- Six Finishes
- Non-handed
- Fail Secure
- Plug Connectors

### OPTIONS

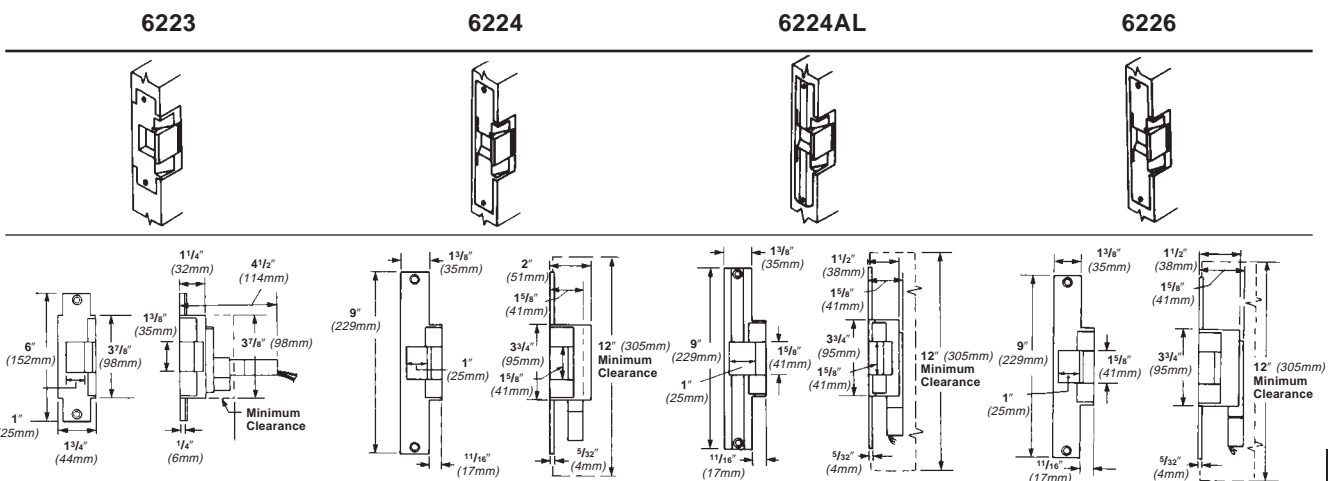
- Fail Safe
- Dual Monitor Switches
- Entry Buzzer



SPECIFICATIONS	12V	24V
Resistance in Ohms ± 10% @ 70°F	21	72
Watt-seated @ 70°F	7.5	8
Amps-seated @ 70°F	.6	.33
Amps-inrush @ 70°F	.6	.33

UL listed Burglary Resistant CVXY and Electric Strike for fire doors or frames GXAY (fail secure only). ANSI E59321

### DIMENSIONS AND CONFIGURATIONS



# VON DUPRIN®

## ELECTRIC STRIKE/LOCK COMPATIBILITY INFORMATION

Chart 1

RIM EXIT DEVICE COMPATIBILITY 6111, 6112, 6113 & 6121 Strikes	
Manufacturer	Device (panic/fire)
Von Duprin	22, 33, 35, 88, 98, 99
Magnokrom	Rim
Monarch*	11-R, XX-R, 18-R, 19-R
Precision	810, 1100**
Sargent	2800, 6500, 6800, 8500, 8800, 9500, 9800**, 9898
Yale	1500, 7000, 7100, 7200

\*Deadlocking feature will not properly function, consult factory.  
\*\*Panic only.

Chart 2

MORTISE LOCK COMPATIBILITY 6211, 6211AL, 6211WF, 6212, 6213, 6214, 6215, 6221, 6222, 6223, 6224, 6224AL, 6225 & 6226 Strikes	
Manufacturer	Mortise #
Von Duprin	7500
Adams Rite	4510, 4710
Baldwin	6000
Best	24H, 30H
Corbin	9000
Falcon	M2300, M2500, M2600 M3300, M3500, M3600
Precision	Mortise
Ruswin	Mortise
Sargent	7700, 8100, 9000
Schlage	L9000, K30, K40, K50, K60
Yale	7030, 7130, 8600, 8700

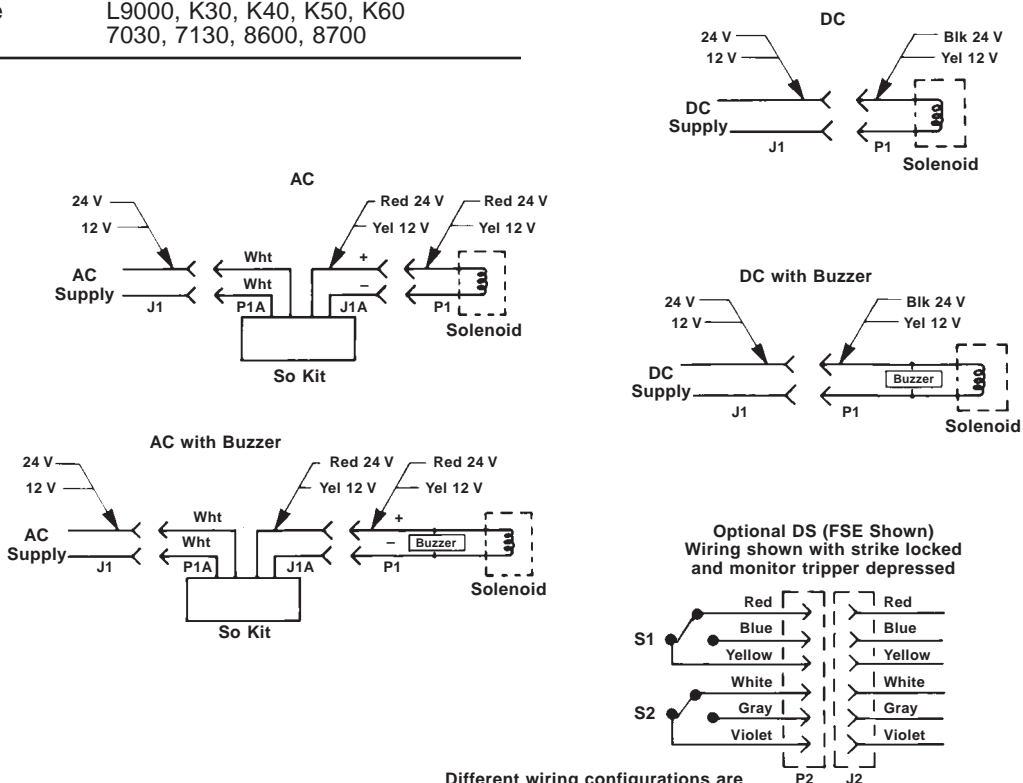
Chart 3

CYLINDRICAL LOCK COMPATIBILITY 6211, 6211AL, 6211WF, 6212, 6213, 6214, 6215, 6221, 6222, 6223, 6224, 6224AL, 6225 & 6226 Strikes	
Manufacturer	Cylindrical
Baldwin	1/2" - 3/4" (13mm - 19mm)
Best	3/8" - 3/4" (10mm - 19mm)
Corbin	1/2" - 3/4" (13mm - 19mm)
Falcon	1/2" - 3/4" (13mm - 19mm)
Ruswin	1/2" - 3/4" (13mm - 19mm)
Sargent	1/2" - 3/4" (13mm - 19mm)
Schlage	3/8" - 3/4" (10mm - 19mm)
Yale	1/2" - 3/4" (13mm - 19mm)

**Note:** Signalling may not function when using 3/8" (10mm) throw bolt. Deadlocking cannot be guaranteed with all locks.

Chart 4

MORTISE LOCK AND 6210 COMPATIBILITY	
Von Duprin	7500
Best	30H
Corbin/Ruswin	ML2200, 5000, 9000
Falcon	M100, M200, M300, M400, M500, M600
Sargent	7700, 8100
Schlage	L9000
Yale	8700



Different wiring configurations are used depending on Backbox type and FS or FSE.

## ADDITIONAL INFORMATION

### CROSS REFERENCE

Name	Strike/Lock Mounting	# Doors	Frame Material (SGL Dr) Door Material (DBL Dr)	Faceplate Length	Drop In Replaces Von Duprin:	Drop In Replaces Folger Adam:
6111	Rim Device	Single <sup>1</sup>	All	6"	3031	
6112	Rim Device	Single	All	9"		310-4 <sup>4</sup>
6113	Rim Device	Single	All	6"	3011, 3021	
6114	Rim Nightlatch	Single	All	7"		310-5 <sup>5</sup>
6121	Rim Device	Double-Closed Back	All	9"		310-4-100 <sup>5</sup>
6210	Mortise	Single	HM/Alu	4 <sup>7</sup> / <sub>8</sub> "		
6211	Mortise or Cylindrical	Single	HM/Alu	4 <sup>7</sup> / <sub>8</sub> "	3140	712
6211AL	Mortise or Cylindrical	Single	Aluminum	4 <sup>7</sup> / <sub>8</sub> "		722
6211WF	Mortise or Cylindrical	Single	Wood	4 <sup>7</sup> / <sub>8</sub> "		732 <sup>6</sup>
6212	Mortise or Cylindrical	Single	HM/Alu	6 <sup>3</sup> / <sub>8</sub> "	3146	
6212WF	Mortise or Cylindrical	Single	Wood	6 <sup>3</sup> / <sub>8</sub> "		
6213	Mortise or Cylindrical	Single	All <sup>2</sup>	6"	3041, 42, 61, 62	
6214	Mortise or Cylindrical	Single	All <sup>3</sup>	9"		310-2 3/4
6215	Mortise or Cylindrical	Single	All <sup>3</sup>	9"		310-2
6216	Mortise and Deadbolt	Single	All	9"		310-3-1
6221	Mortise or Cylindrical	Double-Open Back	All	6"	3071, 72	
6222	Mortise or Cylindrical	Double-Open Back	All	9"		310-2 3/4 OB
6223	Mortise or Cylindrical	Double-Closed Back	All	6"	3091, 3092	
6224	Mortise or Cylindrical	Double-Closed Back	All	9"		310-2 3/4
6224AL	Mortise or Cylindrical	Double-Closed Back	Aluminum	9"		310-2 RF
6225	Mortise or Cylindrical	Double-Open Back	All	9"		310-2 OB
6226	Mortise or Cylindrical	Double-Closed Back	All	9"		310-2

<sup>1</sup>Includes double door with mullion.

<sup>2</sup>Recommended on wood frames only if drop in replacement is needed for 3041, 42, 61, 62 on wood frames. Otherwise use 6211WF.

<sup>3</sup>Recommended on wood frames only if drop in replacement is needed for 310-2 3/4, 310-2 on wood frames. Otherwise use 6211WF.

<sup>4</sup>Strike lip area cutout is slightly larger than Folger Adam.

<sup>5</sup>Surface applied strike. Mounting hole locations different from Folger Adam.

<sup>6</sup>Wood frame horizontal solenoid location differs from Folger Adam. May require new frame prep when retrofitting.

### FINISHES

US Number	BHMA Number	Description	Von Duprin Number
US3	—	Plated Polished Brass on Stainless Steel	85
US4	—	Plated Dull Brass on Stainless Steel	84
US10	639	Plated Dull Bronze on Stainless Steel	06
US10B	640	Plated Dark Bronze on Stainless Steel	86
US32	629	Stainless Steel, Polished	31
US32D	630	Stainless Steel, Satin	32

### WIRE SIZE SELECTION

Length of wire run (in feet)	Current requirement at 24VDC			
	0-.5 Amp	.5-1 Amp	1-2 Amp	2-3 Amp
0-100	18	18	18	18
100-200	18	18	18	16
200-300	18	18	16	14
300-450	18	16	14	12
450-600	18	16	12	NR
600-900	16	14	NR	NR
900-1200	14	12	NR	NR

NR — Not recommended

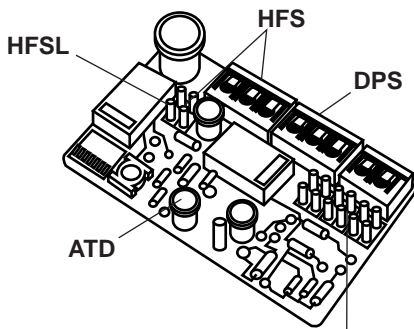
# VON DUPRIN®

## MAX HOLD® SERIES 4000 DIRECT HOLD

MAX HOLD Series 4000 Electromagnetic Locks provide trouble-free locking systems because there are no moving parts to malfunction and they require little maintenance.

Series 4000 dual-coil technology provides field selection of 12 or 24 volts and built-in voltage surge protection. All surfaces are plated or coated for maximum corrosion resistances.

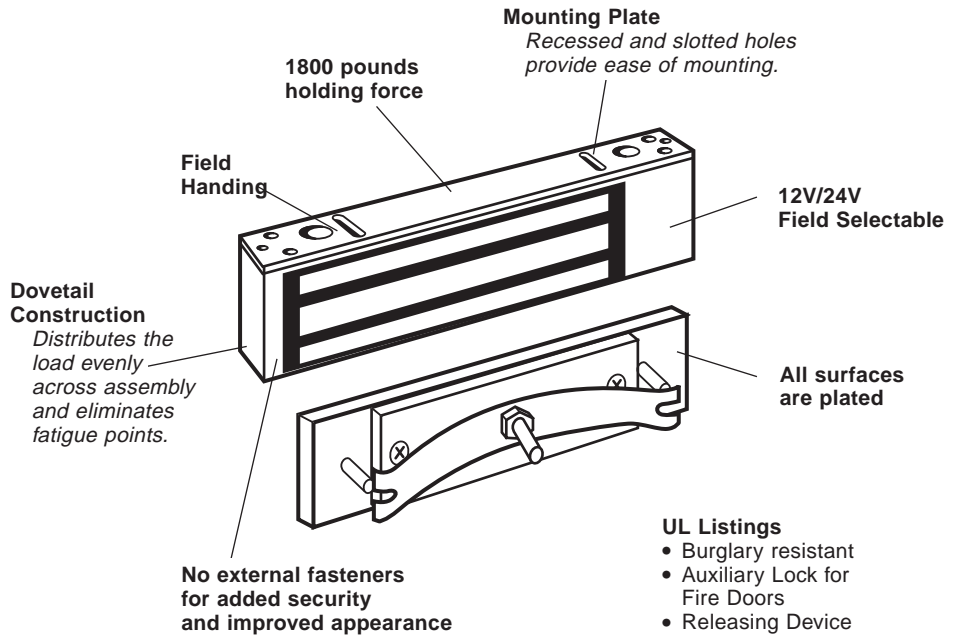
### SERIES 4000 OFFERS ALL POPULAR OPTIONS



Fully loaded circuit board shown

12V/24V Option

FINISHES (Anodized)	
US28	Aluminum (Standard)
US3	Brass Polished
US10	Bronze Satin
US10B	Dark Bronze Satin
US26	Chrome Polished



- UL Listings**
- Burglary resistant
  - Auxiliary Lock for Fire Doors
  - Releasing Device

**HFS** — Holding Force Sensor detects any reduction in holding force between the armature and the electromagnet.

**HFSL** — Holding Force Sensor with LED detects any reduction in holding force between the armature and the electromagnet and the LED illuminates when the lock is at full holding force.

### HOW TO ORDER

#### Series 4000

1. Model number.
2. HFS — holding force sensor.  
HFSL — holding force sensor/LED.  
ATD — adjustable time delay.  
DPS — door position switch.
3. RC24 — rectifier kit for AC operation.
4. Finish — other than US28.
5. Filler plate or angle bracket, per application.

**ATD** — Adjustable Time Delay provides delayed relocking from 0 to 45 seconds.

**DPS** — Door Position Switch provides remote monitoring of a doors status.

**RC24** — Rectifier kit is available for AC operation for use on 12 and 24 volt locks.

#### Series 4100

1. Model number.
2. HFS — holding force sensor.
3. Rectifier kit for AC operation.

#### Series 4200

1. Model number.
2. HFS — holding force sensor.
3. Rectifier kit for AC operation.
4. Finish — other than US28.

# VON DUPRIN® SERIES 4000 SINGLE DOOR — OUTSWINGING

## DS4010

For hollow metal, aluminum and wood door applications.



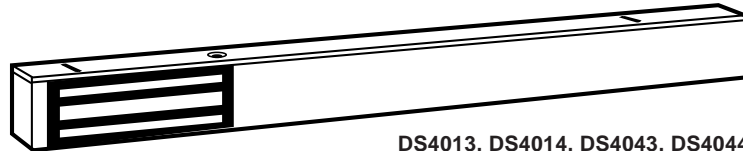
DS4010, DS4030, DS4040

## DS4030

For glass door applications, new.

## DS4040

For glass door applications, retrofit.



DS4013, DS4014, DS4043, DS4044

## DS4013

For hollow metal, aluminum and wood door applications, for 3' (914mm) wide opening. Housing size 34<sup>3</sup>/<sub>4</sub>" (883mm).

## DS4014

For hollow metal, aluminum and wood door applications, for 4' (1219mm) wide opening. Housing size 46<sup>3</sup>/<sub>4</sub>" (1187mm).

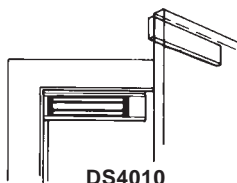
## DS4043

For glass door applications, full housing up to 3' (914mm) wide openings — retrofit only.

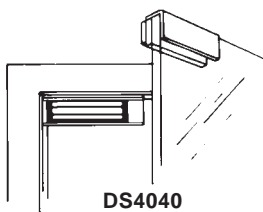
## DS4044

For glass door applications, full housing up to 4' (1219mm) wide openings — retrofit only.

**Note:** When ordering, specify glass thickness — 1/2" (13mm) or 3/4" (19mm).



DS4010



DS4040

### ANGLE BRACKETS

Length	1" (25mm)	1" (25mm) 1 1/2" (38mm)	1 1/2" (38mm) 1 1/2" (38mm)	1 1/2" (38mm) 2" (51mm)
11 1/2" (292mm)	AB111	AB112	AB113	AB114
3' (914mm)	AB361	AB362	AB363	AB364
4' (1219mm)	AB481	AB482	AB483	AB484

### FILLER PLATES for 1/2" (12mm) or 5/8" (16mm) Stops

Length	1/2" (13mm) 1/2" (13mm)	1/2" (13mm) 1 1/2" (38mm)	5/8" (16mm) 1/2" (13mm)	5/8" (16mm) 2" (51mm)
11 1/2" (292mm)	FP115	FP116	FP117	FP118
3' (914mm)	FP365	FP366	FP367	FP368
4' (1219mm)	FP485	FP486	FP487	FP488

Installation may require the use of angle bracket and/or filler plate. Refer to pages 20 and 21 for additional information.

### SPECIFICATIONS

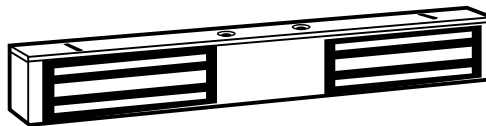
Holding force	1800 pounds (818 kg)
Current draw	12V — .70 ampere    24V — .35 ampere
Lock body size	2 <sup>3</sup> / <sub>4</sub> " H × 11 <sup>1</sup> / <sub>2</sub> " L × 1 <sup>9</sup> / <sub>16</sub> " D (70mm H × 292mm L × 38mm D)
Armature size	2 <sup>7</sup> / <sub>16</sub> " H × 9 <sup>1</sup> / <sub>16</sub> " L × <sup>7</sup> / <sub>16</sub> " T (62mm H × 229mm L × 11mm T)
Mounting plate	1/4" H × 11 <sup>1</sup> / <sub>2</sub> " L × 1 <sup>9</sup> / <sub>16</sub> " D (6mm H × 292mm L × 38mm D)

# VON DUPRIN®

## SERIES 4000 DOUBLE DOOR — OUTSWINGING

### DD4010

For hollow metal, aluminum and wood door applications.



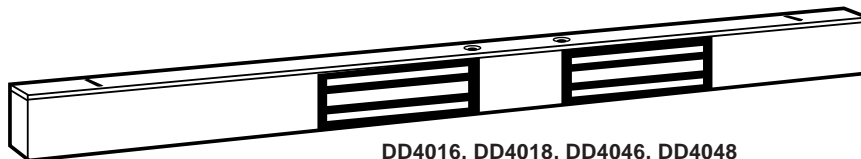
DD4010, DD4030, DD4040

### DD4030

For glass door applications, new.

### DD4040

For glass door applications, retrofit.



DD4016, DD4018, DD4046, DD4048

### DD4016

For hollow metal, aluminum and wood door applications, for 6' (1829mm) wide opening. Housing size 70<sup>3</sup>/<sub>4</sub>" (1797mm).

### DD4018

For hollow metal, aluminum and wood door applications, for 8' (2438mm) wide opening. Housing size 94<sup>3</sup>/<sub>4</sub>" (2407mm).

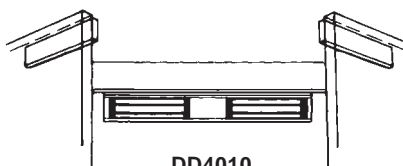
### DD4046

For glass door applications, full housing up to 6' (1829mm) wide openings — retrofit only.

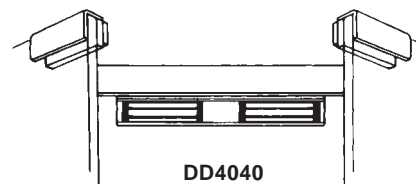
### DD4048

For glass door applications, full housing up to 8' (2438mm) wide openings — retrofit only.

**Note:** When ordering, specify glass thickness — 1/2" (13mm) or 3/4" (19mm).



DD4010



DD4040

### ANGLE BRACKETS

Length	1" (25mm)	1 1/2" (38mm)	1 1/2" (38mm)	2" (51mm)
22 <sup>1</sup> / <sub>2</sub> " (572mm)	AB221	AB222	AB223	AB224
6' (1829mm)	AB721	AB722	AB723	AB724
8' (2438mm)	AB961	AB962	AB963	AB964

### FILLER PLATES for 1/2" (12mm) or 5/8" (16mm) Stops

Length	1/2" (13mm)	1 1/2" (38mm)	1/2" (13mm)	2" (51mm)
22 <sup>1</sup> / <sub>2</sub> " (572mm)	FP225	FP226	FP227	FP228
6' (1829mm)	FP725	FP726	FP727	FP728
8' (2438mm)	FP965	FP966	FP967	FP968

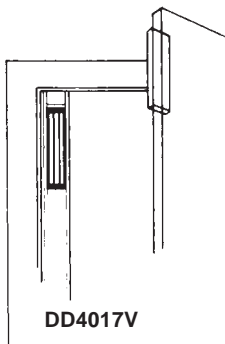
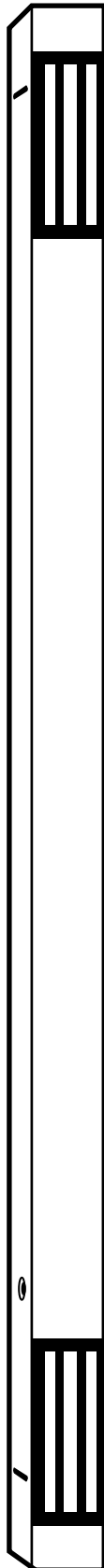
Installation may require the use of angle bracket and/or filler plate. Refer to pages 20 and 21 for additional information.

### SPECIFICATIONS

Holding force	1800 pounds (818 kg) each leaf
Current draw — complete assembly	12V — 1.4 ampere    24V — .70 ampere
Lock body size	2 <sup>3</sup> / <sub>4</sub> " H × 22 <sup>1</sup> / <sub>2</sub> " L × 1 <sup>9</sup> / <sub>16</sub> " D (70mm H × 572mm L × 38mm D)
Armature size (2)	2 <sup>7</sup> / <sub>16</sub> " H × 9 <sup>1</sup> / <sub>16</sub> " L × 7 <sup>1</sup> / <sub>16</sub> " T (62mm H × 229mm L × 11mm T)
Mounting plate	1 <sup>1</sup> / <sub>4</sub> " H × 22 <sup>1</sup> / <sub>2</sub> " L × 1 <sup>9</sup> / <sub>16</sub> " D (6mm H × 572mm L × 38mm D)

# VON DUPRIN® SERIES 4000 VERTICAL MOUNT — OUTSWINGING

DD4017V, DD4018V



DD4017V

## DD4017V

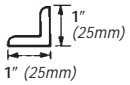
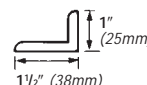
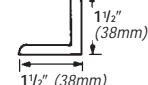
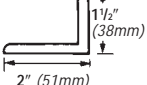
For hollow metal, aluminum and wood door applications, for 7' (2134mm) high opening. Housing size 83<sup>3</sup>/<sub>8</sub>" (2118mm).

## DD4018V

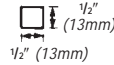
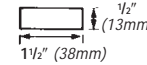
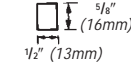
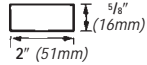
For hollow metal, aluminum and wood door applications, for 8' (2438mm) high opening. Housing size 95<sup>3</sup>/<sub>8</sub>" (2423mm).

Additional backset is required when used with a lockset.

### ANGLE BRACKETS

Height				
7' (2134mm)	AB831	AB832	AB833	AB834
8' (2438mm)	AB951	AB952	AB953	AB954

### FILLER PLATES for 1/2" (12mm) or 5/8" (16mm) Stops

Height				
7' (2134mm)	FP835	FP836	FP837	FP838
8' (2438mm)	FP955	FP956	FP957	FP958

Installation may require the use of angle bracket and/or filler plate. Refer to pages 20 and 21 for additional information.

### SPECIFICATIONS

Holding force	3000 pounds (1364 kg)	
Current draw — complete assembly	12V — 1.4 ampere	24V — .70 ampere
Lock body size	2 <sup>3</sup> / <sub>4</sub> " H × 1 <sup>9</sup> / <sub>16</sub> " D (70mm H × 38mm D)	
Armature size (2)	2 <sup>7</sup> / <sub>16</sub> " H × 9 <sup>1</sup> / <sub>16</sub> " L × 7 <sup>1</sup> / <sub>16</sub> " T (62mm H × 229mm L × 11mm T)	
Mounting plate	1 <sup>1</sup> / <sub>4</sub> " H × 1 <sup>9</sup> / <sub>16</sub> " D (6mm H × 38mm D)	

---

**ANGLE BRACKETS**

---

**Length**

---

1 1/2" (292mm)	AB111	AB112	AB113	AB114
----------------	-------	-------	-------	-------

---

# VON DUPRIN®

## SERIES 4000 SINGLE AND DOUBLE DOOR — INSWINGING

### DS4050

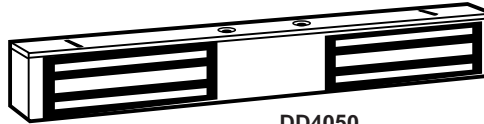
For hollow metal, aluminum and wood single door applications.



DS4050

### DD4050

For hollow metal, aluminum and wood double door applications.

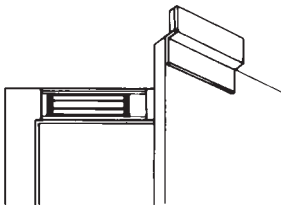


DD4050

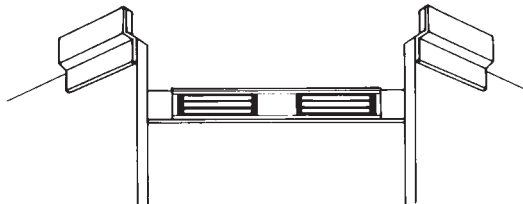
**Note:** Special mounting brackets are available. For double egress applications, consult factory.

### SPECIFICATIONS

Holding force	1800 pounds (818 kg) each leaf	
Current draw — complete assembly	Single	
	12V — .70 ampere	24V — .35 ampere
	Double	
	12V — 1.4 ampere	24V — .70 ampere
Lock body size	Single	
	2 <sup>3</sup> / <sub>4</sub> " H × 11 <sup>1</sup> / <sub>2</sub> " L × 1 <sup>9</sup> / <sub>16</sub> " D (70mm H × 292mm L × 38mm D)	
	Double	
	2 <sup>3</sup> / <sub>4</sub> " H × 22 <sup>1</sup> / <sub>2</sub> " L × 1 <sup>9</sup> / <sub>16</sub> " D (70mm H × 572mm L × 38mm D)	
Armature size each	2 <sup>7</sup> / <sub>16</sub> " H × 9 <sup>1</sup> / <sub>16</sub> " L × 7 <sup>1</sup> / <sub>16</sub> " T (62mm H × 229mm L × 11mm T)	
Mounting plate	1 <sup>1</sup> / <sub>4</sub> " H × 11 <sup>1</sup> / <sub>2</sub> " L × 1 <sup>9</sup> / <sub>16</sub> " D (6mm H × 292mm L × 38mm D)	



DS4050



DD4050

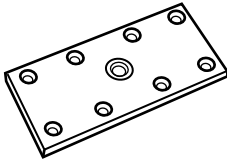
## ANGLE BRACKET AND FILLER PLATE APPLICATIONS

**Details** — frame and door require 12 gauge reinforcement.

Angle brackets are required when frame depth is less than 4<sup>3</sup>/<sub>4</sub>" (121mm).

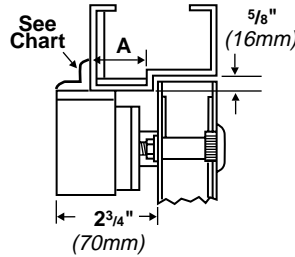
Standard dimension from back of lock to inside face of door is 2<sup>3</sup>/<sub>4</sub>" (70mm) — except for full glass doors. 1/8" (3mm) is allowed for mute.

### SAB MOUNTING PLATE



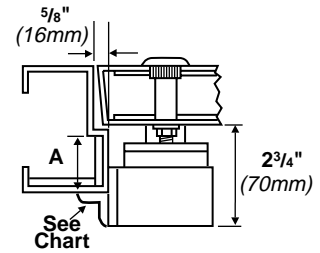
Optional mounting plate for use in surface applying armature. Minimum 12 gauge reinforcement required. Furnished with eight 10-24 machine screws.

**Single rabbet hollow metal frame and door**



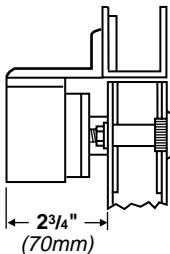
"A" dimension	Use bracket
1/2" (13mm)-7/8" (22mm)	#4
1" (25mm)-1 3/8" (35mm)	#2/#3
1 1/2" (38mm)-1 7/8" (48mm)	#1

**Single rabbet hollow metal frame and door, vertical mount**



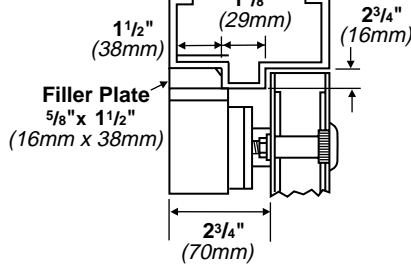
"A" dimension	Use bracket
1/2" (13mm)-7/8" (22mm)	#4
1" (25mm)-1 3/8" (35mm)	#2/#3
1 1/2" (38mm)-1 7/8" (48mm)	#1

**Flush transom**

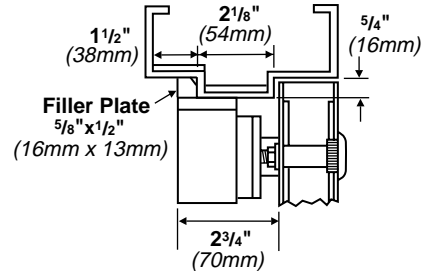


Requires special angle bracket  
Consult Factory

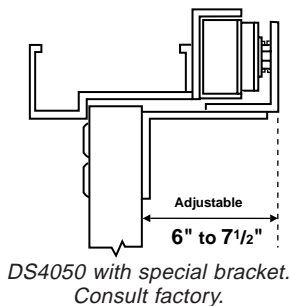
**Hollow metal frame and door**



**Hollow metal frame and door**

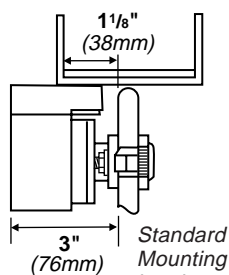


**Double egress frame**



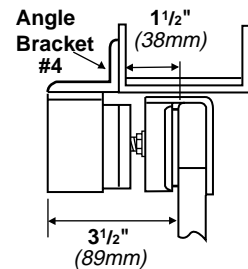
DS4050 with special bracket.  
Consult factory.

**Cased opening full glass — new construction**



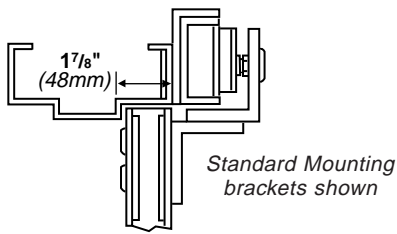
Standard Mounting brackets shown

**Cased opening full glass — retrofit**

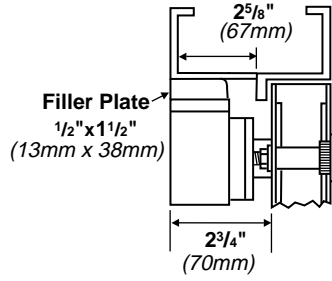


**Note:** When ordering, specify glass thickness — 1/2" (13mm) or 3/4" (19mm)

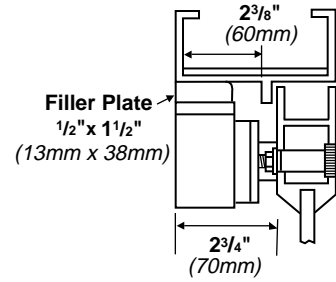
Hollow metal frame and door — Inswinging operation



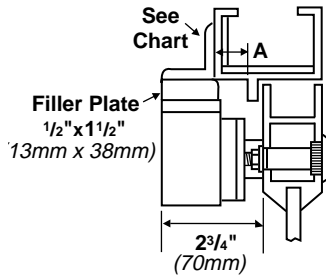
Aluminum frame with blade stop



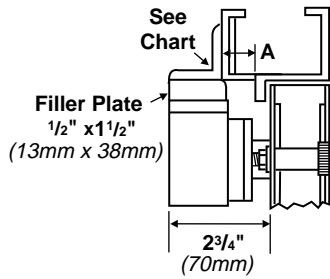
Hollow metal frame and door — Inswinging operation



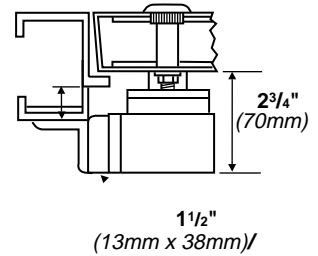
Aluminum frame with blade stop — full glass top rail



Aluminum frame with blade stop



Aluminum frame with blade stop — vertical mount



"A" dimension	Use bracket
5/8" (16mm)-1" (25mm)	#4
1 1/8" (29mm)-1 1/2" (38mm)	#2/#3
1 5/8" (41mm)-2" (51mm)	#1

"A" dimension	Use bracket
5/8" (16mm)-1" (25mm)	#4
1 1/8" (29mm)-1 1/2" (38mm)	#2/#3
1 5/8" (41mm)-2" (51mm)	#1

"A" dimension	Use bracket
5/8" (16mm)-1" (25mm)	#4
1 1/8" (29mm)-1 1/2" (38mm)	#2/#3
1 5/8" (41mm)-2" (51mm)	#1

Aluminum frame with blade stop, vertical mount

Hollow metal frame, vertical mount

Hollow metal frame, vertical mount

# VON DUPRIN®

## MAX HOLD® SERIES 4100 CONCEALED SHEAR LOCK

MAX HOLD Series 4100 Electromagnetic Concealed Shear Locks provide trouble-free locking...easy to adjust and requires little maintenance.

Series 4100 Shear locks have a tested holding force of 1800 pounds and will engage with electromagnet lock to armature clearance of up to  $\frac{1}{4}$ " (6mm) at 24 volts and  $\frac{3}{16}$ " (5mm) at 12 volts. The dual-coil technology provides field selection of 12 or 24 volts and built-in surge protection.

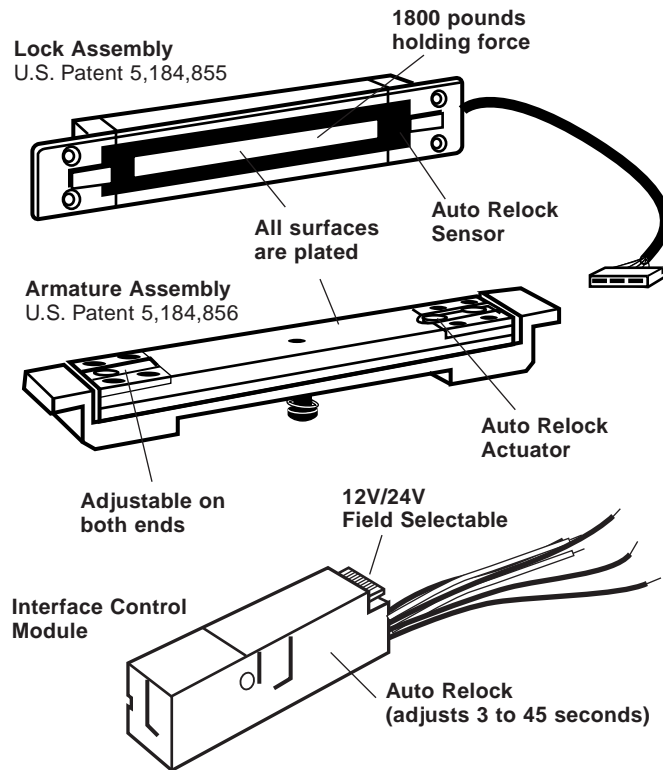
All surfaces are plated or coated for maximum corrosion resistances.

### OPTIONS

**HFS** — Holding Force Sensor detects any reduction in holding force between the armature and the electromagnet.

**RC12** — Rectifier kit is available for AC operation, for use with 12 volt lock.

**RC24** — Rectifier kit is available for AC operation, for use with 24 volt lock.



### UL Listed

- Auxiliary Lock for Fire Doors
- Releasing Device

SPECIFICATIONS	SL4110, 4120, 4130, 4140	SL4150, 4160
Holding force	12V — 1775 pounds (807kg) 24V — 1800 pounds (818kg)	12V — 1775 pounds (807kg) 24V — 1800 pounds (818kg)
Current draw	12VDC — .71 ampere 12VAC — 1.1 ampere 24VDC — .42 ampere 24VAC — .62 ampere	12VDC — .71 ampere 12VAC — 1.1 ampere 24VDC — .42 ampere 24VAC — .62 ampere
Lock body size	$1\frac{1}{2}$ " W × $9\frac{7}{16}$ " L × $1\frac{3}{16}$ " D (38mm W × 240mm L × 30mm D)	$1\frac{1}{2}$ " W × $9\frac{7}{16}$ " L × $1\frac{3}{16}$ " D (38mm W × 240mm L × 30mm D)
Armature size	HM — $1\frac{3}{8}$ " W × $10\frac{15}{16}$ " L × $1\frac{3}{32}$ " D (35mm W × 278mm L × 28mm D) WD — $1\frac{3}{8}$ " W × 11" L × $1\frac{3}{32}$ " D (35mm W × 279mm L × 28mm D)	$1\frac{3}{8}$ " W × $9\frac{1}{16}$ " L × $1\frac{3}{4}$ " D (35mm W × 230mm L × 44mm D)
Mortar box size		SL4160 — $1\frac{5}{8}$ " W × $9\frac{9}{16}$ " L × $1\frac{5}{8}$ " D (41mm W × 243mm L × 41mm D) Box tabs $3\frac{1}{8}$ " (79mm) W
Interface Control Module size	$1\frac{5}{16}$ " W × 5" L × $1\frac{1}{4}$ " D (33mm W × 127mm L × 32mm D)	$1\frac{5}{16}$ " W × 5" L × $1\frac{1}{4}$ " D (33mm W × 127mm L × 32mm D)

# VON DUPRIN® SERIES 4100

## SL4110

Top mount for hollow metal and aluminum door applications — flush, shallow or deep rail.

## SL4120

Vertical mount for hollow metal and aluminum door applications — square or bevel edge.

## SL4130

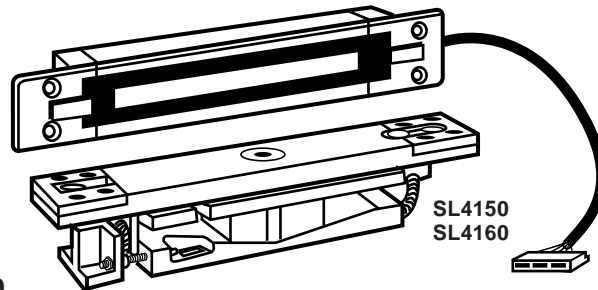
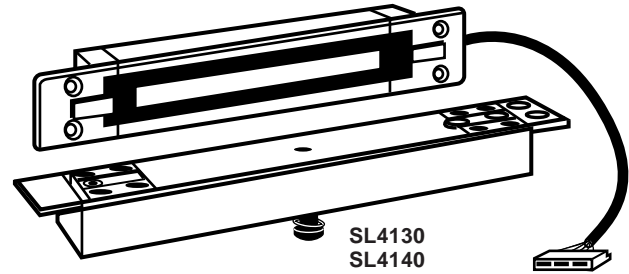
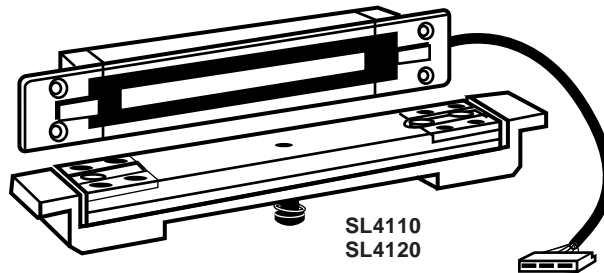
Top mount for wood door applications.

## SL4140

Vertical mount for wood door applications — square or bevel edge.

## SL4150

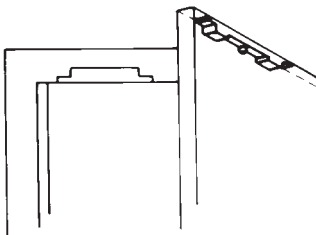
Top mount for aluminum and tempered glass with rail applications, where there is limited clearance between the top of the door and the ceiling and adjusting is difficult — armature is adjustable through the edge of the door —  $\frac{1}{2}$ " (13mm) horizontally and  $\frac{1}{4}$ " (6mm) vertically.



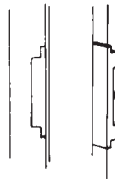
## SL4160

Bottom mount for aluminum and tempered glass with rail, door applications — armature is adjustable through the edge of the door —  $\frac{1}{2}$ " (13mm) horizontally and

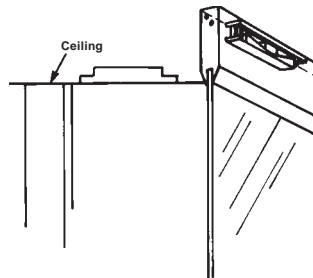
$\frac{1}{4}$ " (6mm) vertically. Assembly includes lock mortar box and 14' (4267mm) cable for remote mounting of interface control module.



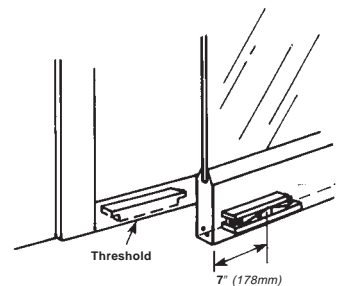
SL4110  
SL4130



SL4120  
SL4140



SL4150



SL4160

# VON DUPRIN®

## MAX HOLD®

### SERIES 4200 SURFACE AND SEMI-CONCEALED SHEAR LOCK

MAX HOLD Series 4200 Electromagnetic Surface and Semi-Concealed Shear Locks provide trouble-free locking operation...easily adjusted and requiring little maintenance.

Series 4200 Shear locks have a tested holding force of 1800 pounds and will engage with electromagnet lock to armature clearance of up to  $\frac{1}{4}$ " (6mm) at 24 volts and  $\frac{3}{16}$ " (5mm) at 12 volts. The dual-coil technology provides field selection of 12 or 24 volts and built-in surge protection.

All surfaces are plated or coated for maximum corrosion resistances.

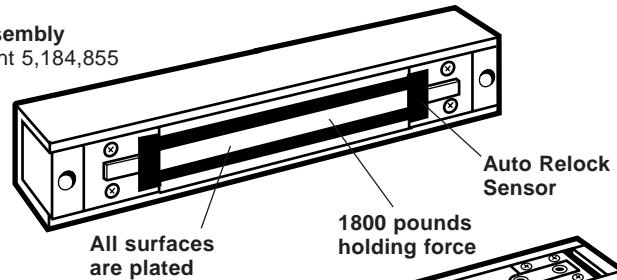
#### OPTIONS

**HFS** — Holding Force Sensor detects any reduction in holding force between the armature and the electromagnet.

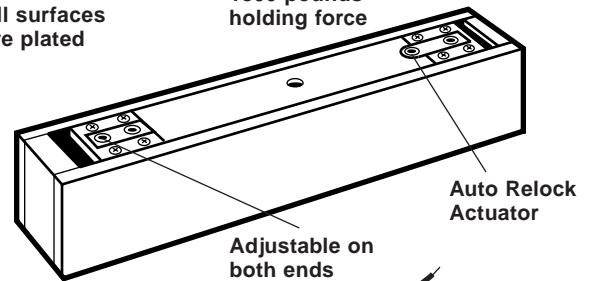
**RC12** — Rectifier kit is available for AC operation, for use with 12 volt lock.

**RC24** — Rectifier kit is available for AC operation, for use with 24 volt lock.

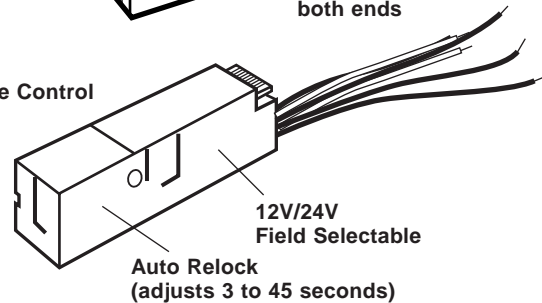
**Lock Assembly**  
U.S. Patent 5,184,855



**Armature Assembly**  
U.S. Patent 5,184,856



**Interface Control Module**



#### UL Listed

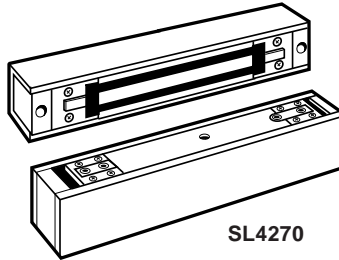
- Auxiliary Lock for Fire Doors
- Releasing Device

SPECIFICATIONS	SL4270, 4275	SL4280, 4285
Holding force	12V — 1775 pounds (807kg) 24V — 1800 pounds (818kg)	12V — 1775 pounds (807kg) 24V — 1800 pounds (818kg)
Current draw	12VDC — .71 ampere 12VAC — 1.1 ampere 24VDC — .42 ampere 24VAC — .62 ampere	12VDC — .71 ampere 12VAC — 1.1 ampere 24VDC — .42 ampere 24VAC — .62 ampere
Lock body size	<b>SL4270</b> 2" H × 10 <sup>3</sup> / <sub>4</sub> " L × 1 <sup>3</sup> / <sub>4</sub> " D (51mm W × 273mm L × 44mm D) <b>SL4275</b> 1 <sup>3</sup> / <sub>4</sub> " H × 10 <sup>3</sup> / <sub>4</sub> " L × 1 <sup>7</sup> / <sub>8</sub> " D (44mm H × 273mm L × 48mm D)	1 <sup>1</sup> / <sub>2</sub> " H × 9 <sup>7</sup> / <sub>16</sub> " L × 1 <sup>3</sup> / <sub>16</sub> " D (38mm H × 240mm L × 30mm D)
Armature size	2" H × 10 <sup>3</sup> / <sub>4</sub> " L × 1 <sup>31</sup> / <sub>32</sub> " D (51mm H × 273mm L × 50mm D)	<b>SL4280</b> 2" H × 10 <sup>3</sup> / <sub>4</sub> " L × 1 <sup>31</sup> / <sub>32</sub> " D (51mm H × 273mm L × 50mm D) <b>SL4285</b> 2" H × 10 <sup>3</sup> / <sub>4</sub> " L × 2 <sup>13</sup> / <sub>16</sub> " D (51mm H × 273mm L × 71mm D)
Interface Control Module size	1 <sup>5</sup> / <sub>16</sub> " H × 5" L × 1 <sup>1</sup> / <sub>4</sub> " D (33mm H × 127mm L × 32mm D)	1 <sup>5</sup> / <sub>16</sub> " H × 5" L × 1 <sup>1</sup> / <sub>4</sub> " D (33mm H × 127mm L × 32mm D)

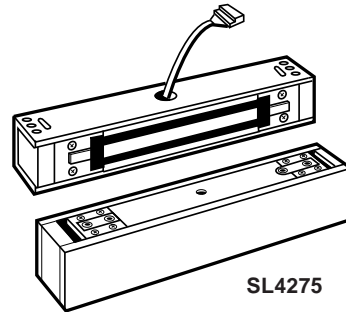
# VON DUPRIN® SERIES 4200 SURFACE MOUNT

## SL4270

Outswinging full surface top mount for hollow metal, aluminum and wood door applications.



SL4270



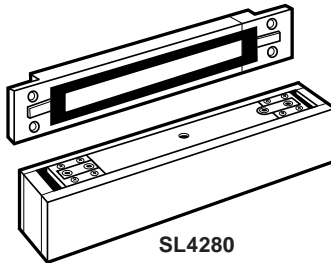
SL4275

## SL4275

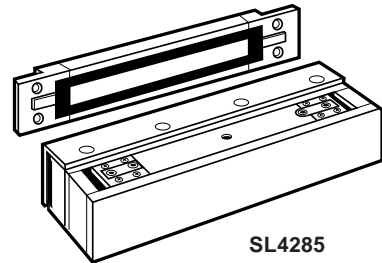
Inswinging full surface top mount for hollow metal, aluminum and wood door applications.

## SL4280

Outswinging semi-concealed top mount for hollow metal and wood door applications.



SL4280

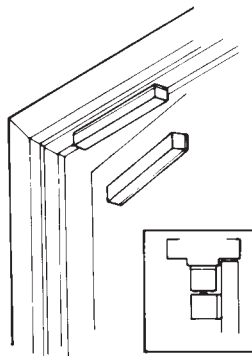


SL4285

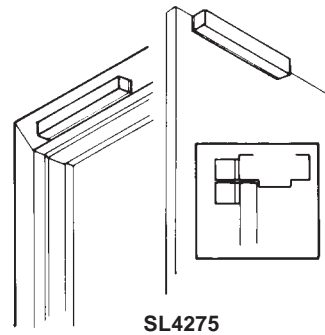
## SL4285

Outswinging semi-concealed top mount for full temper glass door applications.

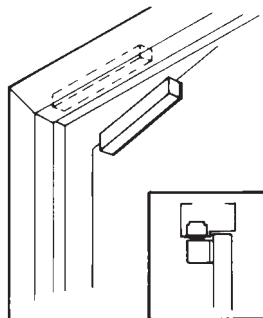
**Note:** When ordering, specify glass thickness —  $\frac{1}{2}$ " (13mm) or  $\frac{3}{4}$ " (19mm).



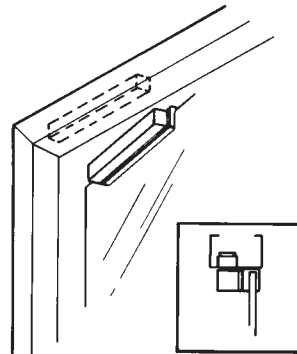
SL4270



SL4275



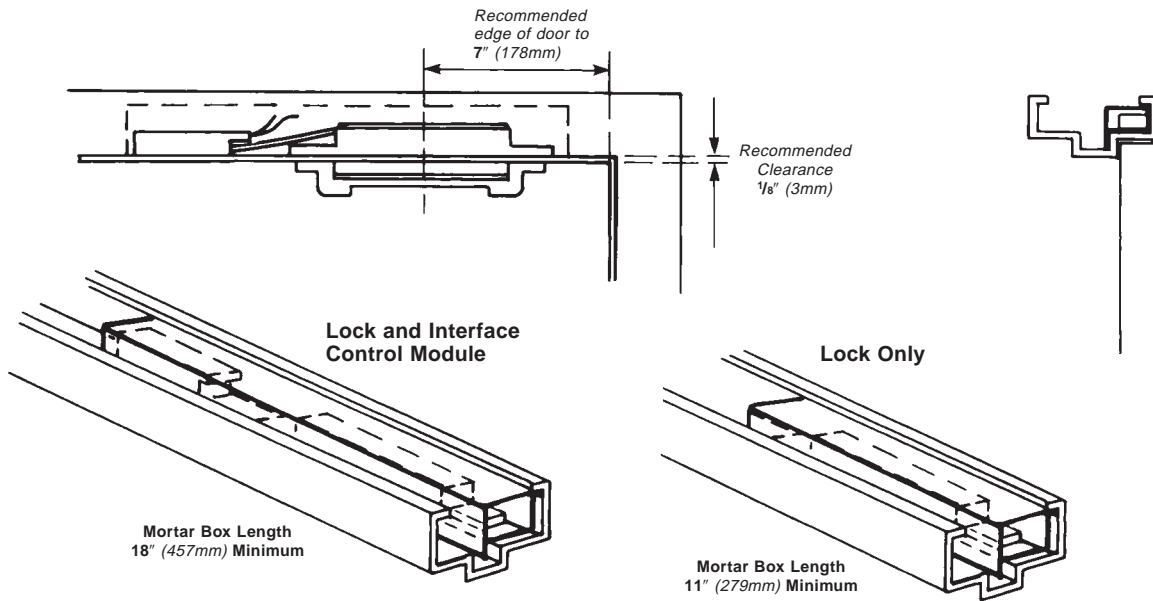
SL4280



SL4285

# VON DUPRIN®

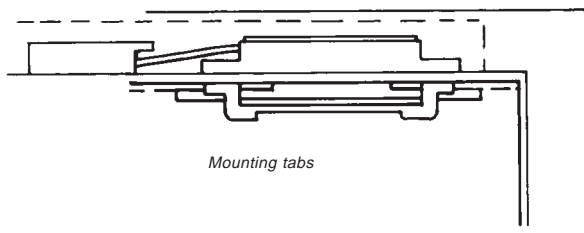
## MOUNTING INFORMATION



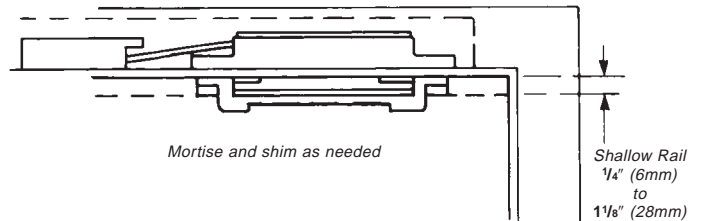
Frame and door require 12 gauge reinforcements.

Lock assemblies includes mounting hardware — fasteners, mounting tabs and spacers to shim armature.

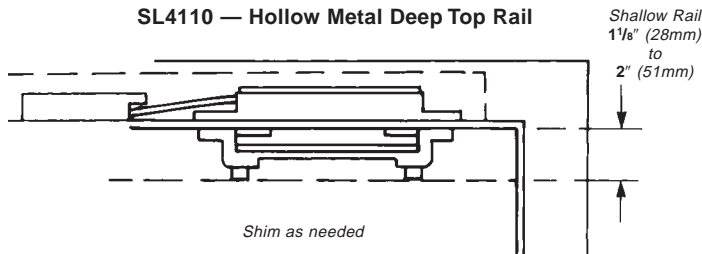
**SL4110 — Hollow Metal Flush Top Rail**



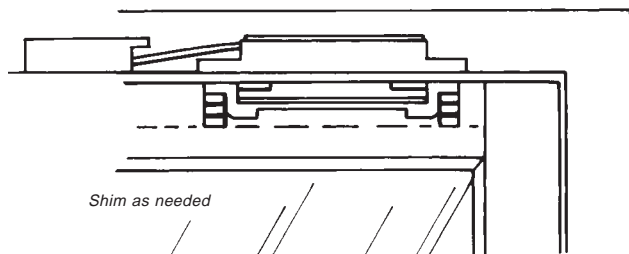
**SL4110 — Hollow Metal Shallow Top Rail**



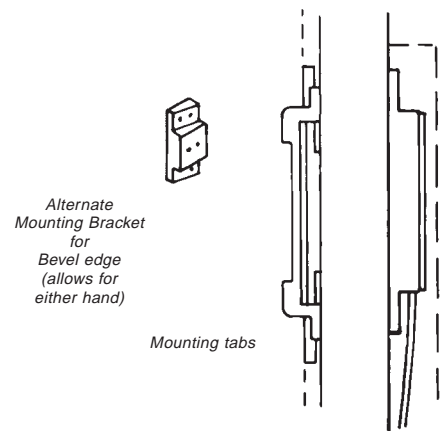
**SL4110 — Hollow Metal Deep Top Rail**



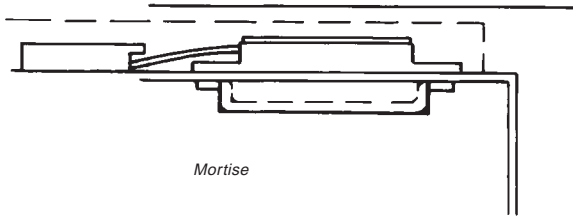
**SL4110 — Aluminum Top Mount**



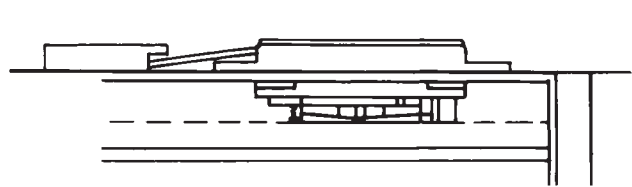
**SL4120 — Hollow Metal Vertical Mount**



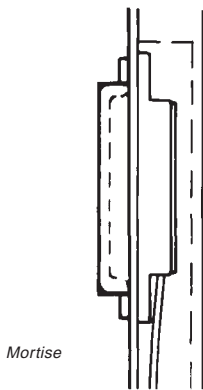
SL4130 — Wood Door Top Mount



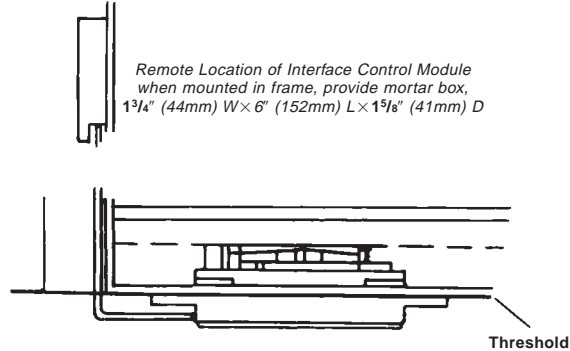
SL4150 — Hollow Metal/Aluminum Top Mount



SL4140 — Wood Door Vertical Mount

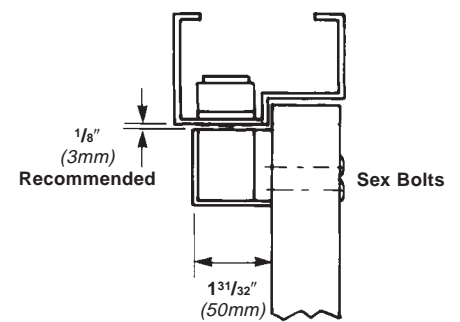
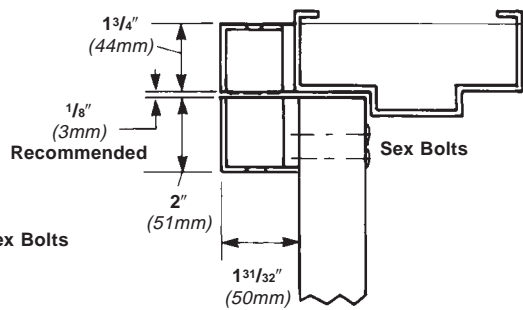
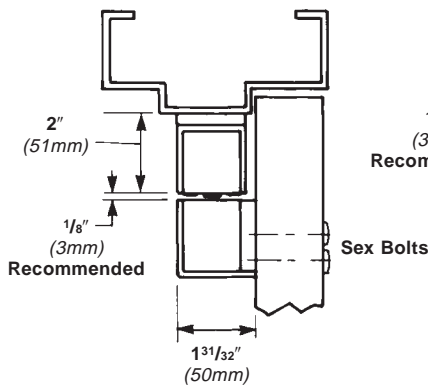


SL4160 — Hollow Metal/Aluminum Bottom Mount

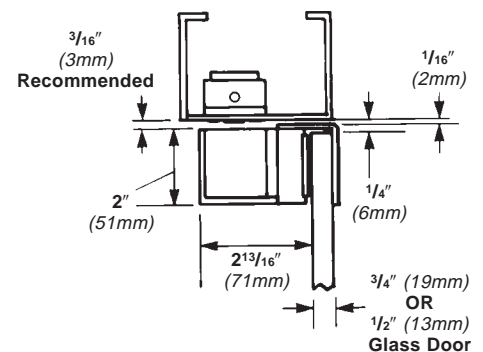


Remote Location of Interface Control Module  
when mounted in frame, provide mortar box,  
1<sup>3</sup>/<sub>4</sub>" (44mm) W x 6" (152mm) L x 1<sup>5</sup>/<sub>8</sub>" (41mm) D

SL4270 — Surface Mounted Outswinging SL4275 — Surface Mounted Inswinging SL4280 — Semi-Concealed Outswinging



SL4285 — Semi-Concealed Outswinging or Double Acting Glass Door



## MOUNTING ACCESSORIES

**MT4105** — Mounting kit for use when replacing Series 705 or 725 shear lock — hollow metal and aluminum frame applications, Series 4100.

**MT4106 Kit** — Wood frame

mounting kit—required when using Series 4100 and 4200 electro-magnetic lock in a wood frame.

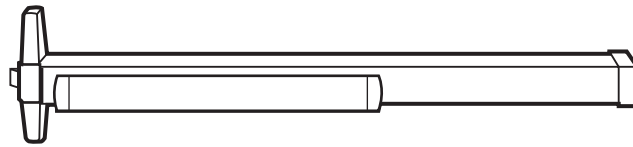
**EC4165 Cable** — 14 ft. (4267mm) cable, for use when remote location of Interface Control Module

# VON DUPRIN® ELECTRIC LATCH RETRACTION EL

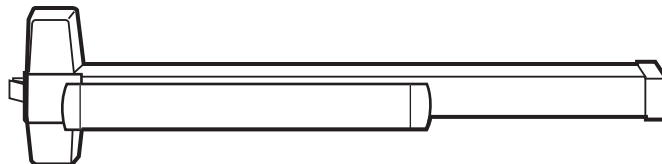
The EL electric latch retraction feature provides remote unlocking ability to exit devices. The feature is available with 33, 35, 98 and 99 series devices, rim, mortise and vertical rod. A control station operator can flip a switch to retract the latch bolt and immediately change an exit only or latched door to push-pull operation. A powerful, continuous duty solenoid retracts the latch bolt...for momentary unlocking, or for extended periods of time, in lieu of manual dogging.

EL devices are also useful with automatic door operators, and may be applied to fire-rated devices when under the control of an **automatic fire alarm system**.

This feature does not include the power transfer from door to frame, nor the power supply or control operator. (Refer to page 44 for the electric power transfer, and to page 40 for the PS-872 Power Supply).



EL33/EL35



EL98/EL99

Rim device shown — Refer to 33/35 or 98/99 Series catalog for complete product information, mounting styles, outside trim, finishes, etc.

Minimum Door Width: 3' (914mm)  
device—2'6" (762mm), 4' (1219mm)  
device—3'0" (914mm)

Actual device length will vary depending on device type, strike being used, stop height, single or double door, etc.

UL listed FVSR SA163 panic hardware and/or GXHX R4504(N) fire exit hardware.

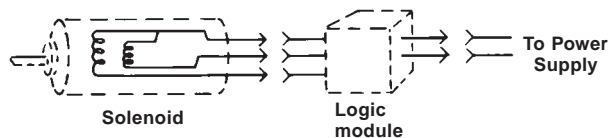
## SPECIFICATIONS

Solenoid	
Continuous Duty	24VDC
Current Inrush (300 milliseconds)	16 amperes
Current Holding	0.3 ampere

**Caution:** Power supply must be a PS872 or equal.



Supplied with 3' (914mm) Cable at the hinge side of door.



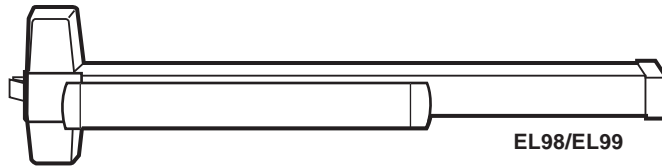
# VON DUPRIN® *ELECTRIC DEVICE E98/E99*

The E98/E99 electric rim device provides remote unlocking capabilities. A control station operator can flip a switch to lock or unlock the outside trim. The 24VDC solenoid assembly contains a SPDT (single pole double throw) signal switch to monitor the outside trim (locked or unlocked). A second switch monitors the latchbolt position.

The device is standard as fail safe (FS). When power is off, the trim is unlocked. The trim may then be relocked electrically (by applying power). The device is field convertible for fail secure (FSE) applications.

The outside trim cylinder retracts the latchbolt for mechanical override.

**Note:** Some Fire codes will require "Fail Safe" (FS) operation for stairwell doors. Be sure to specify the correct operation for your application.



Rim device shown — Refer to 33/35 or 98/99 Series catalog for complete product information, mounting styles, outside trim, finishes, etc.

## SPECIFICATIONS

Solenoid — 24VDC, 0.25 ampere

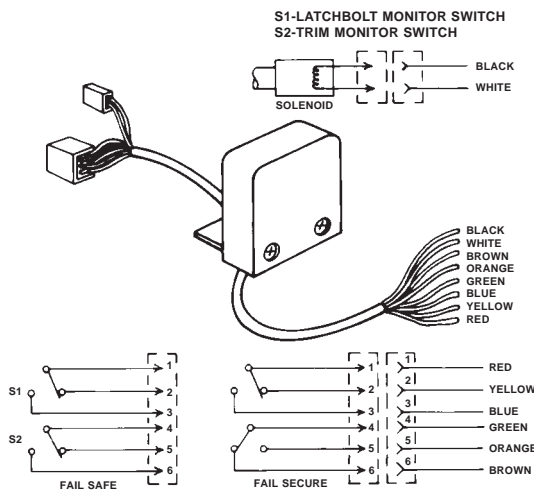
Each switch — rated 0.3 ampere, 24VDC

Refer to page 44 for power transfers and pages 40-41 for power supplies.

UL listed FVSR SA163 panic hardware and GXHX R4504(N) fire exit hardware.



Supplied with 3' (914mm) Cable at the hinge side of door.



WIRING SHOWN WITH TRIM LOCKED AND LATCHBOLT EXTENDED

# VON DUPRIN® SIGNAL SWITCH RX AND LX

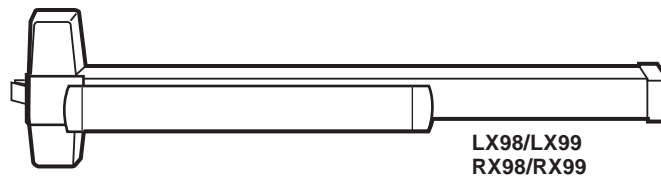
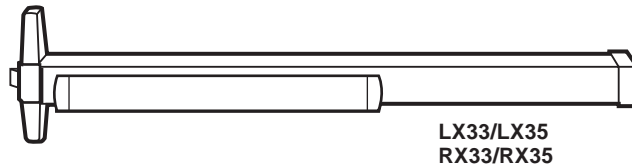
The RX (request to exit) signal switch feature is used to signal the use of an opening from the push side. These devices are equipped with an internal SPDT (single pole double throw) switch which monitors the touch bar.

The LX (latchbolt monitoring) signal switch monitors both egress and access of an opening. These devices are equipped with an internal SPDT (single pole double throw) switch which monitors the latchbolt position.

The device can be connected to a security console, or may be used as a single door alarm, when used with a horn and power supply. A continuous current electric transfer must be used for transferring power from the frame to the door.

Most other electrical functions (EL, E) may be combined with the RX or LX feature.

RX and LX switches are available for factory or field installation.



Rim device shown — Refer to 33/35 or 98/99 Series catalog for complete product information, mounting styles, outside trim, finishes, etc.

## SPECIFICATIONS

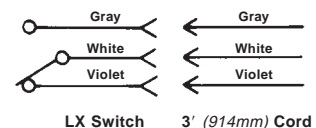
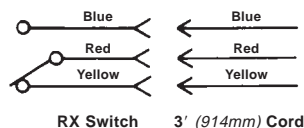
Switch rated 3.0 amperes @ 24VAC/  
DC resistive

*When used with inductive or capacitive loads, switch capacity will deteriorate.*

UL listed FVSR SA163 panic hardware and/or GXHX R4504(N) fire exit hardware — consult device catalog for complete device listing information.



Supplied with 3' (914mm) Cable at the hinge side of door.



# VON DUPRIN® SIGNAL SWITCH SS

The SS signal switch feature is used to signal the unauthorized use of an opening. Available in rim, mortise and vertical rod, these devices are equipped with two internal SPDT (single pole double throw) switches. One switch monitors both the touch bar and the latch bolt assembly, making the latch bolt tamper resistant, for positive security. An additional SPDT switch is connected to the 1 1/4" (32mm) mortise cylinder (cylinder not furnished) for alarm "bypass" (momentary switch — not time delay).

The device can be connected to a security console, or may be used as a single door alarm, when used with a horn and power supply. A continuous current electric transfer must be used for transferring power from the frame to the door.

**SS mortise lock devices** are furnished with both signal switch device and **SS7500** mortise lock, total of four switches.

The SS7500 mortise lock has the versatility and advantages of the SS7500 mortise lock.

Minimum Door Width: 3' (914mm)  
device—2'6" (762mm), 4' (1219mm)  
device—3'0" (914mm)

Actual device length will vary depending on device type, strike being used, stop height, single or double door, etc.

---

## SPECIFICATIONS

---

Each switch rated 0.5 ampere 24VDC

---

# CHEXIT® CONTROLLED EXIT DEVICE

Rim device shown — Refer to Chexit Catalog for complete selection information.

Chexit Controlled Exit Device Series CX98 and CX99 are designed for use on Accident Hazard or Fire Exit Hardware applications and combines life safety with the needs of security and meets all requirements of NFPA 101® for “Special Locking Arrangement” and UBC “Special Egress-control Devices”.

This exit hardware device will keep an exit door secured for a 15 second period, yet tied into the fire alarm system will release immediately when an alarm condition exists. All controls, auxiliary locking, local alarm, and remote signaling output are self-contained in the Chexit assembly, providing safe, secure and easy to install door control hardware.

Chexit system is ideal for highly controlled areas such as computer rooms, research and development labs, retail stores, libraries and security facilities.

- Non handed
- Field sizable
- 3/4" (19mm) throw, latchbolt
- Deadlocking

Models are available for rim, mortise lock, surface vertical rod and concealed vertical rod mounting styles. UL listed for use on panic or fire exit doors, 3' or 4' wide.

A complete system requires a power supply and a power transfer.

**Finishes** — US3, US4, US10, US26, US26D, US28, US32D and 313.

## Electrical Specifications

Voltage — 24VDC

Current — .4 amperes with 300 millisecond 16 ampere in-rush on arming

External alarm contact —

1 ampere @ 24VDC

Fire alarm input, external inhibit input, door position input — setup for normally closed contacts

## FEATURES

**Request to Exit Switch** is built in to detect when someone attempts to exit. Applying less than 15 pounds to the pushpad will cause this switch to start an irreversible alarm cycle.

**Nuisance Alarm** — If the Nuisance Audible and Nuisance Delay options are set to off, the device will go into alarm as soon as the pushpad is touched. Turning the Nuisance Delay on will require the pushpad to be pressed for 2 seconds before the Chexit goes into alarm which is ideal in public areas. If the Nuisance Audible and Nuisance Delay are both on, the alarm will sound as soon as the pushpad is pressed, but the alarm sequence will stop unless held for 2 seconds or more.

**Remote Alarm** — A set of relay contacts (rated 1 ampere, 24VDC) are provided to give external alarm indication. These contacts close when the device is in an irreversible alarm condition. These contacts can be used to drive a horn, lamp, or other indicative device.

**Key Switch** — The Key Switch provides the means to arm, disarm, or reset the Chexit. The key can be removed in either the Arm or Disarm position.

**Indicator Lamp** — The status of the Chexit can be determined by the Indicator Lamp. When the lamp

# VON DUPRIN® 330TBSK AND 350TBSK PUSHPAD



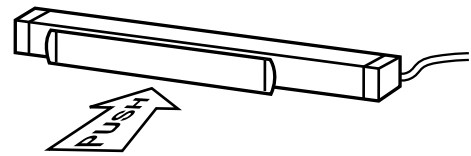
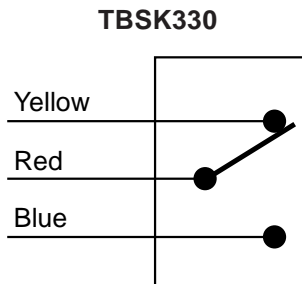
The 330TBSK and 350TBSK bar with active pushpad with monitoring switch or “request to Exit” switch, used to inhibit alarms for authorized exiting. The 330 grooved outer case and the 350 smooth outer case are designed as companion units for Series 33, 35, 98 and 99 exit devices.

The internal SPDT switch should not be used to control a load, but as a signaling switch.

Two sizes are available 3' (914mm) and 4' (1219mm); 3' (914mm) unit for door widths 2'6" (762mm) to 3' (914mm), and 4' (1219mm) unit for door widths 3'1" (940mm) to 4' (1219mm).

## Electrical Rating

SPDT 0.5 ampere @ 24VDC



Supplied with 3' (914mm) cable at the hinge side of door.

# VON DUPRIN® KEYPAD TRIM



## SPECIFICATIONS

Voltage	24VDC @ .15 ampere
Output	Relay, SPDT 2.0 ampere @ 24VDC

## VALID COMBINATIONS

Device	Function			
	L (Std)	L-NL	L-BE	L-DT
E98/99	✓	—	✓	—
EL98/99*	✓	✓	✓	✓
E98/9975	✓	—	✓	—

\*Applies to all series.

Outside trim with built-in keypad for single door applications, easy to install, program and operate. The keypad trim is designed to use with several Von Duprin electrified exit devices; EL98/EL99 Series electric latch retraction, E9875/E9975 electric mortise lock and E98/E99 electric rim exit device, panic or fire.

Outside options include active (standard) or rigid operation (DT), with or without key cylinder (BE) for maximum application flexibility.

## FEATURES

- 100 User Codes
- Variable Code Lengths, 2 to 6 Digits
- LED Feedback
- Keypad Lockout on False Entries
- 1 Million Code Combinations
- Weather Resistant
- Maintained/Momentary output

## OPERATIONAL DETAILS

### LED

There are three LED indicators; red, green and yellow. Red is locked, green is unlocked and yellow shows programming acknowledgement.

## False Entry

When multiple false code entries are made (programmable 3 to 25), the keypad will switch to an inoperative status. The master or supervisor code will override this condition.

## Maintained/Momentary Switch

The units are programmable for either maintained or momentary operation. In maintained, a valid code will unlock and remain unlocked. When the code is entered a second time, relocking will occur.

In momentary, a valid code will unlock, but automatic relocking will occur (programmable 1 to 90 seconds).

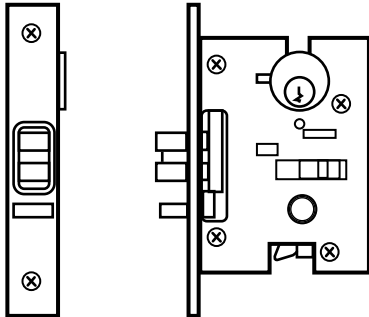
## Weather Resistant

The keypad has been tested and approved for outside operation in temperatures from  $-5^{\circ}\text{F}$  ( $-28^{\circ}\text{C}$ ) to  $125^{\circ}\text{F}$  ( $50^{\circ}\text{C}$ ). Trim should be protected from direct rain and snow.

When ordering, use prefix KP. Example KP992L.

Refer to 98/99 catalog for complete selection information.

# VON DUPRIN® ELECTRIC MORTISE LOCK E7500



UL listed FVSR SA163 panic hardware and GXHX R4504(N) fire exit hardware.

## SPECIFICATIONS

Solenoid — 24VDC, .3 ampere, Continuous Duty

Solenoid — 12VDC, .6 ampere, Continuous Duty

## TO ORDER

Refer to device catalog section for complete product information (type, function, finish, etc.)

The E7500 electric mortise lock for use with 55, 88, 98 and 99 series has all the versatility and advantages of the 7500 mortise lock plus the advantage of being electrically controllable by a remote switching device, an access control or automatic fire alarm system. **The E-7500 controls the locking of the outside trim.** When unlocked, the door remains latched, preserving the fire rating of the door and making it particularly useful where codes permit locking, but require unlocking during a fire emergency.

E7500 features a **signalling function** to monitor the latch bolt and trim locking function.

1<sup>1</sup>/<sub>4</sub>" (32mm) mortise cylinder with straight cam (not furnished) unlocks trim, trim locks when key is removed.

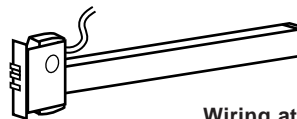
## FEATURES

- Field reversible
- 24VDC continuous duty solenoid
- Tamper resistant
- Corrosion resistant
- Internal solenoid

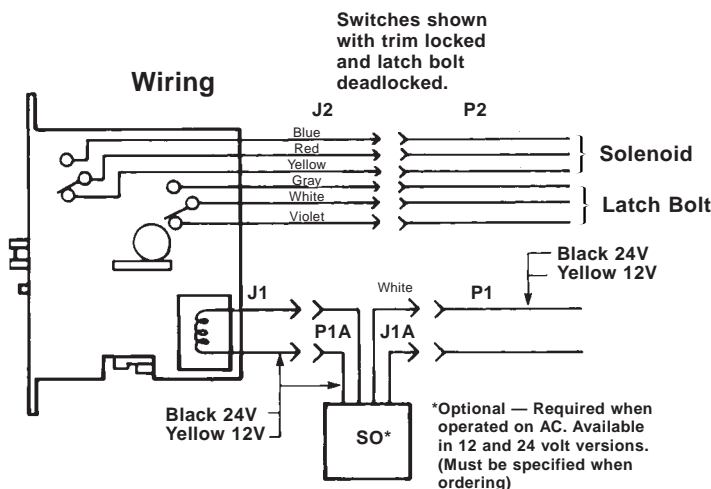
## OPTIONS

- Fail safe (locked when energized, unlocked when de-energized or during power failure specify with suffix "FS").
- Fail secure (unlocked when energized — specify with suffix "FSE"). Outside trim automatically relocks, unless held unlocked electrically.
- 24VAC (includes SO option).
- 12VDC or 12VAC (includes SO option).

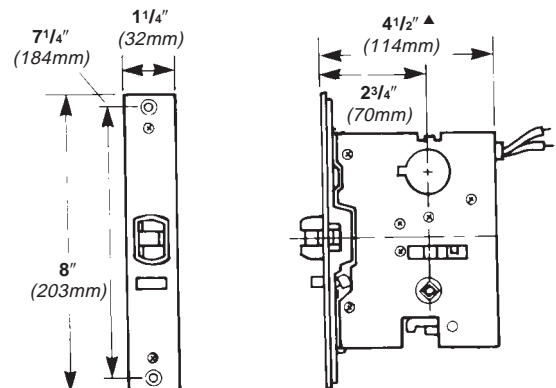
**Note:** Some Fire codes will require "Fail Safe" (FS) operation for stairwell doors. Be sure to specify the correct operation for your application.



Wiring at latch side of door.



ET500 shown.  
SS7500 includes only  
J2/P2 connectors and wiring



# VON DUPRIN® SERIES 7300 ACCESS CONTROL KEYPADS

Series 7300 keypads are designed for single door applications and are easy to program and operate. Two models are available, 7311 and 7321 for application flexibility and ease of installation.

## FEATURES

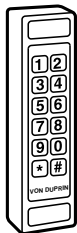
- 100 users
- 1 million code combinations
- Variable code lengths 3 to 6 digits
- Weather resistant
- SPDT relay output
- Maintained or momentary output
- Input for request to exit
- Input for door position switch
- LED feedback
- Audio feedback
- Keypad lockout on false entries
- Dual voltage, 12/24VDC

### 7311



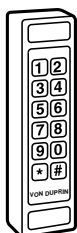
Model 7311 is a self-contained 12 button keypad which mounts in most standard single gang electrical boxes. All programming is performed at the keypad. The keypad has only five terminals to connect; positive and negative input power, and the SPDT output relay, NO (normally open), NC (normally closed) and C (common).

### 7321



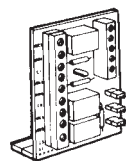
Model 7321 is a narrow stile, surfaced mounted 12 button keypad, ideal for installing on to door frames as narrow as 1<sup>3</sup>/<sub>4</sub>" (44mm). The 7321 is designed for external applications and extends only <sup>3</sup>/<sub>4</sub>" (19mm) from mounting surface. For added security, the decision making electronics and output relay are located remotely. The electronics are mounted in a single gang electrical box, included is a 10' (3048mm) connecting cable and a stainless steel electrical box cover plate.

### 7322



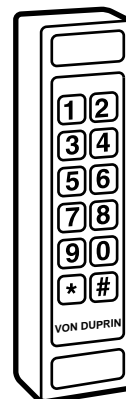
A 7322 keypad can be connected to the 7321 when in and out traffic control is required. Programming can be made from one keypad.

## 7308 RELAY BOARD



An optional relay board is available. The board contains an SPDT relays which will operate a Held-Open alarm and/or Forced-Open alarm.

A relay to operate a Bell or remote call feature is available with the 7321 keypad, only. An additional relay output is available to operate secondary security or door product, such as an automatic door operator or early warning or duress signal.



7321



7311

## OPERATIONAL FEATURES

### LED

There are three LED indicators; red, green and yellow. Red is locked, green is unlocked and yellow shows programming acknowledgements.

### False Entry

When multiple false code entries are made (programmable 3 to 25), the keypad will switch to an inoperative status. The master code will override this condition.

### Maintain/Momentary Switch

The units are programmable for either maintain or momentary operation.

In maintained, a valid code will unlock and remain unlocked. When the next valid code is entered relocking will occur.

In momentary, a valid code will unlock, but will automatically relock by one of two methods, programmable time set (0 to 90 seconds) or when a door position switch is being used, relocking will occur upon the closing of the door.

### Weather Resistant

The keypads have been tested and approved for outside operation in temperatures from -20° (-28° C) to 130° (54° C). Units should be protected from direct rain or snow.

# VON DUPRIN® SERIES DC2000 DESK CONSOLES

Von Duprin series DC2000 desk consoles provide door control and monitoring for up to eight zones. Two models are available: DC2004 for one to four zones and DC2008 for one to eight zones. Designed to meet a wide range of security requirements, the DC2004 and DC2008 can control and monitor electric strikes, electromagnetic locks, CHEXIT controlled exit, electric latch retraction device or other electric locks. The console can also be used for surveillance of monitoring devices.

The design allows for momentary or maintained switch operation, and uses blank plates to fill unused zone positions. Replacing blank plates with switches enables simple field expandability. Pushbuttons control and monitor assigned zones, and a signaling horn provides an audible alert of any condition change that is associated with the red indicator lamp. Console control can be disabled with the security keyswitch.

## KEYSWITCH

The convenient keyswitch allows the operator to unlock the console for control and monitoring operation. Console can be turned off or locked during nonsupervised times, indicator lamps will continue to monitor zone status, but with no audible signal.

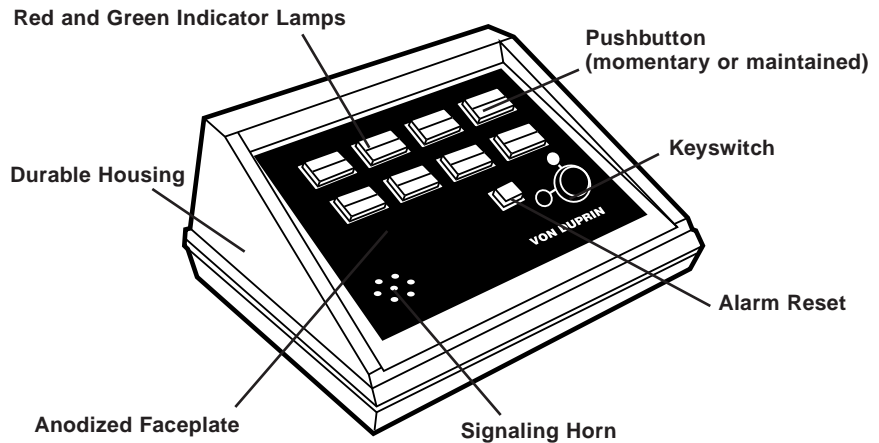
## INDICATOR LAMPS

Red and green indicator lamps are used to monitor zone conditions and are easily replaced.

## PUSHBUTTONS

Pushbuttons are available for maintained or momentary operation.

**Maintained** pushbutton requires the operator to press to unlock and to press a second time to relock.



**Momentary** pushbutton requires the operator to hold button during the unlocked period, relocking will occur when button is released. Each zone pushbutton is a SPDT normally open/normally closed switch to provide maximum flexibility in the controlling of either fail safe or fail secure products. Blank button inserts are furnished when all four or eight zones are not used. Replacement pushbuttons are designed for easy field installation.

## ALARM RESET BUTTON

The alarm reset button (momentary pushbutton) is used to silence the internal horn. The horn is triggered when the red indicator lamp is illuminated, signalling an alarm condition.

## HORN

Horn provides an audible signal to the operator of an open door or other alarm condition. The red light accompanies the horn audible. This audible signal must be manually reset by the operator.

## HOUSING

The housing is a rugged gray color molded polymer, with a heavy gage aluminum faceplate. Faceplate has a durable black anodized finish.

## ELECTRONIC CIRCUIT BOARD

Circuit boards are shipped for four or eight zone applications. When all zones are not originally used and button blanks are inserted, additional pushbuttons can be added. Blank inserts can be removed and for easy field installation of pushbuttons.

## SPECIFICATIONS

Switch (momentary or maintained)	1.0 ampere @ 24VDC
Lamps #85 Red/Green	.04 ampere @ 24VDC
Terminal Block	18/22 gauge wire recommended
Alarm output	0.5 ampere @ 24VDC (breaker protected)
Temperature Range	32° to 120°F (0° to 49°C)
Input Voltage	24VDC, ± 15%

# VON DUPRIN®

## PUSH WALL SWITCHES AND PALM BUTTONS

### PB720 & PB721 SERIES WALL SWITCHES

The PB720 and PB721 series switches are designed for operation of electro-mechanical door hardware such as electric strikes, magnetic locks and electro-mechanical exit devices.

Each switch has both normally open (N.O.) and normally closed (N.C.) contacts. It may be used with fail-safe and fail-secure locks. Switch are rated a 24 volt AC/DC at 3 amperes.

Each switch is mounted on a stainless steel face plate.

The PB720 series switches are momentary and the PB721 series are maintained. All models are provided with 6" (152mm); 18 gauge color coded leads.

The standard model fits single gang electrical boxes (by others) and the narrow (N) version will fit on metal door frames as narrow as 1 3/4" (44mm).

An optioned LED (L) is available. The LED require 0.02 amperes at 24VDC.

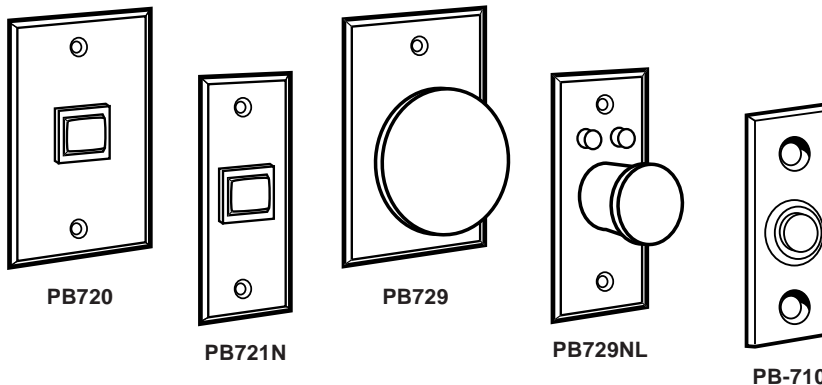
### EIGHT MODELS

#### Momentary

- PB720 Standard
- PB720N Narrow
- PB720L Standard w/indicator lights
- PB720NL Narrow w/indicator lights

#### Maintained

- PB721 Standard
- PB721N Narrow
- PB721L Standard w/indicator lights
- PB721NL Narrow w/indicator lights



### PB729 PALM BUTTON

The PB729 Palm Button is designed as an Emergency button for use with alarm and other signaling systems. They may also be used as a request-to-exit button to inhibit alarms.

The PB729 has a 2 3/8" (60mm) diameter button attached to 2 3/4" (70mm) x 4 1/2" (114mm) stainless steel face plate. It mounts in a single-gang electrical box (by others). Minimum depth is 1 3/8" (44mm).

The PB729NL has a 1 9/16" (40mm) diameter button mounted to a 1 3/8" (44mm) x 4 1/2" (114mm) stainless steel mounting plate. It is designed to mount on metal door frames as narrow as 1 3/4" (44mm). Minimum depth 2 1/2" (64mm). The PB729NL is equipped with a 24 volt AC/DC indicator lamp.

Each switch has both a normally open (N.O.) and normally closed (N.C.) switch contacts.

Switches and lamp have screw terminals for connections.

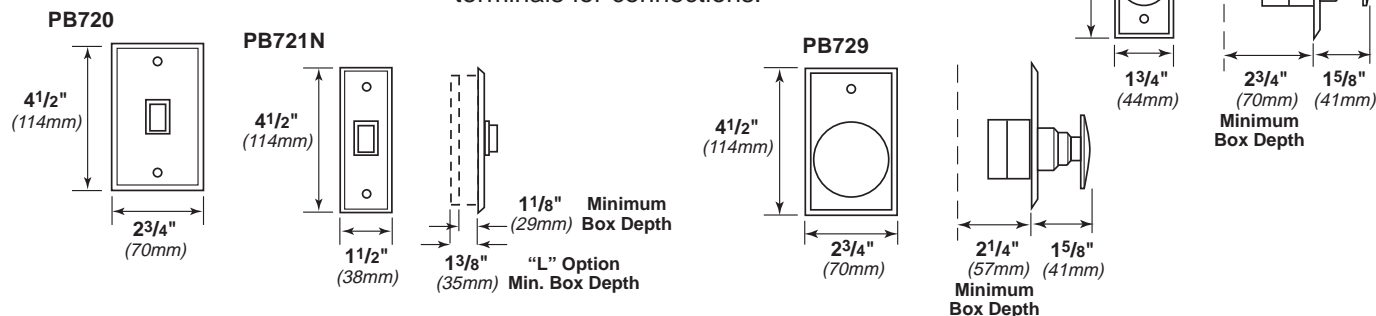
### SERIES PB-710

PB-710 push buttons are designed for use in actuating fail secure locks and other electrical items requiring a normally open momentary switch. 24VAC or DC, 3 amps. Finish: US27

### SPECIFICATIONS

Contact Rating 24V @ 3 amperes

LED current draw .08 amperes @ 24V



**SERIES KS920**

Series KS920 key switches are designed to operate electro-mechanical door hardware, electric strikes, electromagnetic locks, electric latch retraction exit devices and other electric locks.

Key switches have both momentary and maintained SPDT contacts, for use with fail safe and fail secure locks. Rotating the key cylinder to the left actuates the maintained contact and rotating to the right actuates the momentary contact.

Standard models install in to a single gang electric box, and narrow models are available for installation on 1<sup>3</sup>/<sub>4</sub>" (44mm) metal door frame. Faceplates are stainless steel and accept 1<sup>1</sup>/<sub>8</sub>" (29mm) or 1<sup>1</sup>/<sub>4</sub>" (32mm) mortise cylinder. Mortise cylinder must be ordered separately.

Red and green LED indicator signal lights are optional on both models.

**FOUR MODELS**

- KS920 Standard
- KS920N Narrow
- KS920L Standard w/LED
- KS920NL Narrow w/LED

---

**SPECIFICATIONS**

---

Contact Rating 24VDC/AC @ 3 amperes

---

LED current draw .02 amperes @ 24V

---

# VON DUPRIN® POWER SUPPLIES

## SERIES PS861

The series PS861 power supply is designed for electromagnetic locks and electric strikes on single door applications. The output power is field selectable for either 24VDC @ 1 ampere or 12VDC @ 2 ampere. Standard input 120VAC @ 0.6 ampere and 240VAC @ 0.3 ampere available. Terminal block will accept up to 14 gauge stranded wire.

Enclosure is 10" × 10" × 4" (254mm × 254mm × 102mm) gray with 1 hinged cover and constructed of heavy 19 gauge steel. Six 1/2" (13mm) knockout holes are provided for conduit connection.

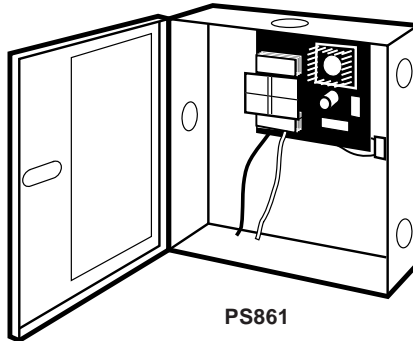
Options include keylock cover and sealed lead acid battery pack. The pair of batteries will provide back-up power for three hours at full load or seven hours at half load. Batteries will automatically recharge when failed power is restored.

## FOUR MODELS

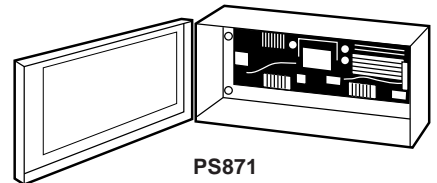
PS861	Standard supply
PS861K	Standard supply with keylock cover
PS861B	Battery backup
PS861BK	Battery backup and keylock cover

## SERIES PS871

The series PS871 power supply is designed to operate electric locking or monitoring exit devices or up to four Chexit® controlled exit devices. Not recommended for use with EL (electric latch retraction). The regulated output power is field selectable for either 24VDC @ 2 ampere or 12VDC @ 4 ampere. Standard input 120VAC @ 1.0 ampere or 240VAC @ 0.5 ampere is available.



PS861



PS871

UL listed BP2364 — Burglary-resistant electric door strike accessories (CVYR).

Enclosure is 5 7/8" high × 12 1/2" wide × 5" deep (149mm × 318mm × 127mm), gray with a hinged cover and constructed of heavy 19 gauge steel. Three 1/2" × 3/4" (13mm × 19mm) knockout holes are provided for conduit connection. Terminal block will accept up to 14 gauge wire.

**Option** — a 871-2 circuit card is available for field installation which converts the PS871 to the equivalent PS872 and will operate two EL devices.

## SERIES PS872

The series PS872 power supply is designed to operate two EL (electric latch retraction) exit devices and replaces the MPB842. The regulated output power is 24VDC @ 2 ampere. Standard input 120VAC @ 1.0 ampere or 240VAC @ 0.5 ampere is available.

Enclosure is 5 7/8" high × 12 1/2" wide × 5" deep (149mm × 318mm × 127mm), gray with a hinged cover and constructed of heavy 19 gauge steel. Three 1/2" × 3/4" (13mm × 19mm) knockout holes are provided for conduit connection. Terminal block will accept up to 14 gauge wire.

**Option** — a 871-2 circuit card is available for field installation. 871-2 is a two zone controller card and when added to PS872 will operate four EL exit devices and replaces RBS884.

---

## SPECIFICATIONS

---

**Outputs** — 0.5 ampere continuous @ 24VDC, 16 amperes surge for 300 milliseconds.

---

# VON DUPRIN® POWER SUPPLIES

## SERIES PS873

The series PS873 power supply is designed to operate a wide variety of electrical products including EL (electric latch retraction) exit devices. The regulated output power is field selectable for either 24VDC @ 2 ampere or 12VDC @ 4 ampere. Standard input 120VAC @ 1.0 ampere or 240VAC @ 0.5 ampere available.

Enclosure is 10" high × 12½" wide × 5" deep (254mm × 323mm × 127mm), gray with a hinged cover and constructed of heavy 19 gauge steel. Five ½" × ¾" (13mm × 19mm) knock-out holes are provided for conduit connection. Terminal block will accept up to 14 gauge wire.

The PS873 can be ordered with three standard options: **Key lock** secures the cover to eliminate tampering and provides safety; **Battery backup** provides two hours backup power at full load during a A.C. power failure; **Fire Alarm** provides input for a normally closed fire alarm contact. When the fire alarm contact is "open", power to locks or other component is removed. Restoring power is field selectable for automatic or manual.

### Eight standard configurations:

PS873	Standard
PS873K	With keylock
PS873B	With battery
PS873BK	With battery and keylock
PS873FA	With fire alarm
PS873K-FA	With keylock and fire alarm
PS873B-FA	With battery and fire alarm
PS873BK-FA	With battery, keylock and fire alarm

The series PS873 is available with several optional circuit cards to provide system flexibility. The power supply will accept one or a combination of any two cards.

### Factory or Field Installed Circuit Cards:

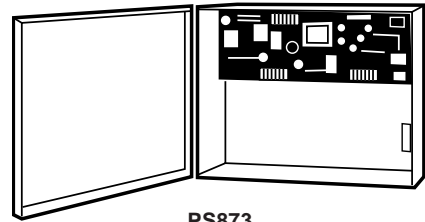
**871-2, Two Zone** controller provides two inputs and two outputs. Use suffix "×2" for factory installed. Will operate two EL exit devices.

**873-AL, Alarm** function monitors 1 or 2 zones and provides alarm output, upon detecting a door in the open position. Delayed alarming is selectable from 5 to 75 seconds. Use suffix "×AL" for factory installed.

**873-AO, Auto Operator** function coordinates the release of one or two locks and signals an auto-operator to open a door. Signaling the auto operator can be performed in two methods; by receiving a signal from a monitoring switch that the lock is unlatched, or upon expiration of a time delay triggered by a "RX" type input switch. Use suffix "×AO" for factory installed.

**873-SI, Security/Safety Interlock** provide interlock function for two zones. When combined with a second 873-SI card, the interlocking of groups are available in two, three or four zones. Safety interlock is available, consult factory for additional information. Use suffix "×SI" for factory installed.

**873-2TD-F, Two Zone** controller with **Time Delay** and **Fire Alarm** combines two zone controller, field selectable time delay from 0 to 75 seconds, in intervals of 5 seconds, and a fire alarm input which can be field selected for automatic or manual reset. Use suffix "×2TD-F" for factory installed.



PS873

**873-4TD, Four Zone** controller with **Time Delay** provides four inputs and four outputs with time delay. Time delay is field selectable from 0 to 75 seconds, in intervals of 5 seconds. Use suffix "×4TD" for factory installed.

**873-AC, Access Control** provides supervision of one zone using an electromagnetic lock. Input signals required are: access control contact, motion detector contact, and motion detector override contact. FA, Fire Alarm option is required. Use suffix "×AC".

### Factory Installed Only Circuit Cards:

**873-DE, Delayed Egress** function ideal for use with electromagnetic locks, will operate two zones simultaneously. To operate two separate zones, a second 873-DE card is required. UL listed component, when used as part of a Von Duprin delayed egress system. Use suffix "×DE".

# VON DUPRIN® ELECTRIC HORN SERIES 1910

Electric horns are designed for use as an immediate local audible warning device incorporated in a security system. Horns are 12VDC/24VDC, field selected and have eight sound tones up to 2400 Hz. Surface mount models are weatherproof and all horns are off white in color.

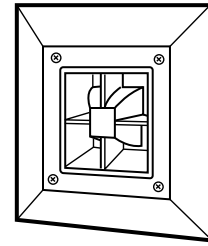
## Available in eight models —

- 1910 Surface mount
- 1910F Flush mount
- 1910S Surface mount and strobe
- 1910SF Flush mount and strobe
- L1910 Latching, surface mount
- L1910F Latching, flush mount
- L1910S Latching, surface mount and strobe
- L1910SF Latching, flush mount and strobe

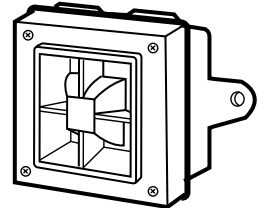
## SPECIFICATIONS

Current draw 22mA @ 12V  
50mA @ 24V  
70mA @ 24V, w/strobe

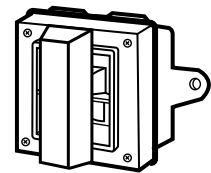
Operating Temperature  
30°F to 120°F



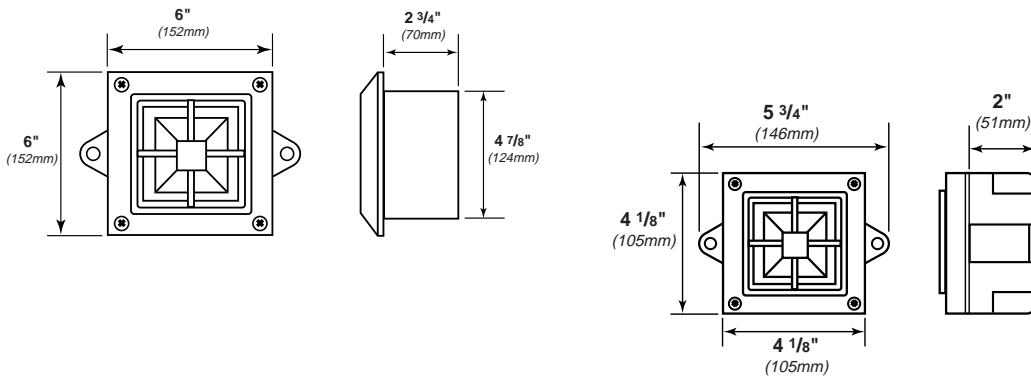
Flush



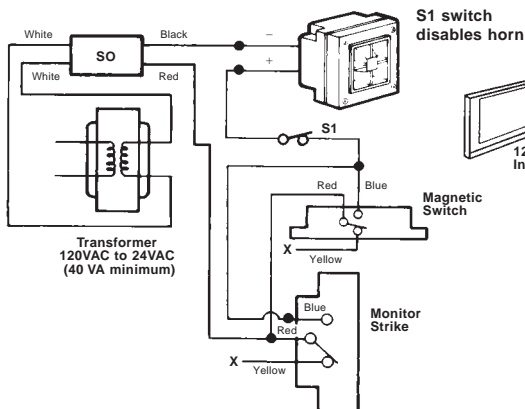
Surface



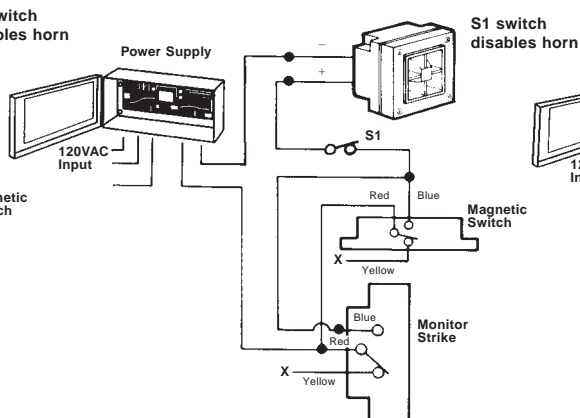
Strobe



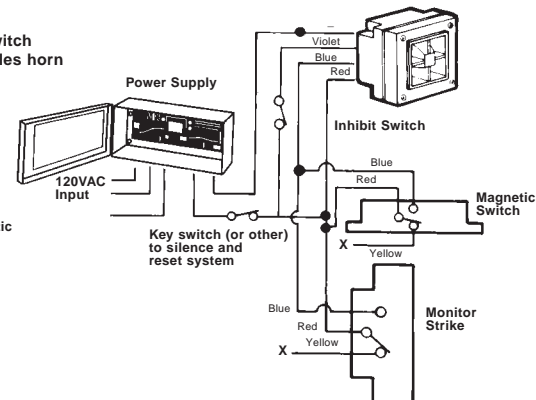
1910 Horn



1910 Horn



1910L Horn



# VON DUP N SCAN II™ EXIT SENSORS

The Scan II™ is a Passive Infrared Detector specifically designed for “request to exit” applications. It has an adjustable relay latch time, is internally pointable, and provides two Form “C” sets of relay contacts.

Enclosure Design consists of a three piece, high impact ABS plastic enclosure with fresnel lens. Available in white or black.

Coverage area is up to 8 by 10 feet (2.4m by 3m). Coverage is dependent upon mounting height and pattern angle.

Pattern Pointability is  $\pm 14$  @ vertical.

Surface mounting height range is from 7 to 15 feet (2.1m to 4.5m).

Output — Two Form “C” relay contacts rated 1A @ 30VDC for DC resistive loads.

Relay Latch Time is adjustable up to 60 seconds.

The relay mode can be programmed by the installer to reset when the timer expires or to remain activated until motion stops. The fail safe/fail secure mode can also be selected.

Unit features an externally visible activation LED.

---

## SPECIFICATIONS

---

12VDC or 24VDC, 26 MA @ 12V

---

Output Two Form “C” relay contacts rated 1A @ 30VDC for DC resistive loads

---

Operating Temperature – 20° to 120°F (–29° to 49°C)

---

Size 1 1/2" (38mm) H × 6 1/4" (159mm) W × 1 1/2" (38mm)

---

# VON DUPRIN® ACCESSORIES

## Electrical Power Transfer

Electric Power Transfer provides a means of transferring electrical power from a door frame to the edge of a swinging door. The units are completed concealed when the door is in the closed position, and are ideally suited for installations involving abuse or heavy traffic.

Two models are available; EPT-2, two 18 gauge wires and EPT-10, ten 24 gauge wires.

Door applications; up to 5" butt hinges — 180° swing, 5½" butt hinges — 130° swing, 6" butt hinges — 110° swing, and ¾" offset pivots 180° swing.

### FINISHES

SP28 (sprayed aluminum) and SP313 (sprayed duranodic)

---

### SPECIFICATIONS

---

Housing — 9" × 17/16" × 1½"  
(229mm × 37mm × 38mm)

---

EPT-2 — Two 18 gauge wires  
Rating, 24VDC 2  
amperes, 16 amperes  
maximum surge

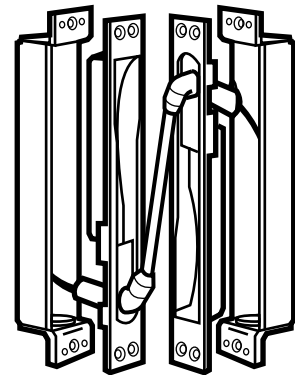
---

EPT-10 — Ten 24VDC 1 ampere

---

### TO ORDER, SPECIFY:

1. EPT-2 or EPT-10
2. Finish, SP28 or SP313



UL fire listed for use with electric locks, Chexit controlled exit device, and EL electric latch retraction exit devices.

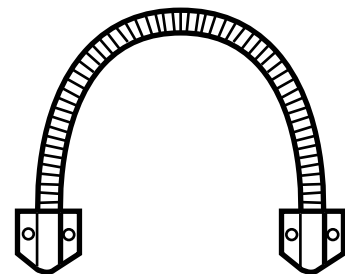
## Door Loop

For simple surface mount power transfer requirements. 5/16" (8mm) diameter flexible metal tube.

Available in two models, DL-7 (7") (179mm) and DL-12 (12") (305mm). DL-7 recommended for 907 inswinging doors only.

### ACCEPTABLE WIRE SIZE COMBINATIONS

- Five 18 gauge
- Seven 20 gauge
- Twelve 22 gauge
- Two 18 gauge and four 20 gauge
- Two 18 gauge and seven 22 gauge



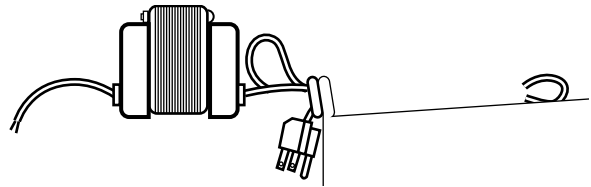
Wires not included

# VON DUPRIN® ACCESSORIES

## Transformer PT-750/PI-760

**PT-750** transformer converts 120VAC to 24VAC, 3 ampere (72VA). Furnished with 7' (2134mm) power cord and grounded plug.

**PT-760** plug-in transformer converts 120VAC to 24VAC, 1 ampere.



## Junction Box

High quality NEMA 1, junction boxes provide convenient installation, available in three models. These surface mounted units are 10" (254mm) high, 10" (254mm) wide and 6" (152mm) deep and includes hinged door with twist turn lock. 20 position terminal strip will accept from 24 to 12 gauge wire.

### Three models:

**JB7** basic junction box with terminal strip.

**JBR7** junction box with terminal strip and one SPDT relay.

**JBT7** junction box terminal strip and time delay relay. Designed for use with combination electric locks (including EL electric latch retraction exit devices) and automatic operators.

## Magnetic Switch MS-700

MS-700 series magnetic switches are designed for monitoring a wide range of applications, including door positions, roof hatches, gates, etc. Available for surface or concealed mounting.

Surface

Concealed

UL listed AMQV Connectors and Switches.

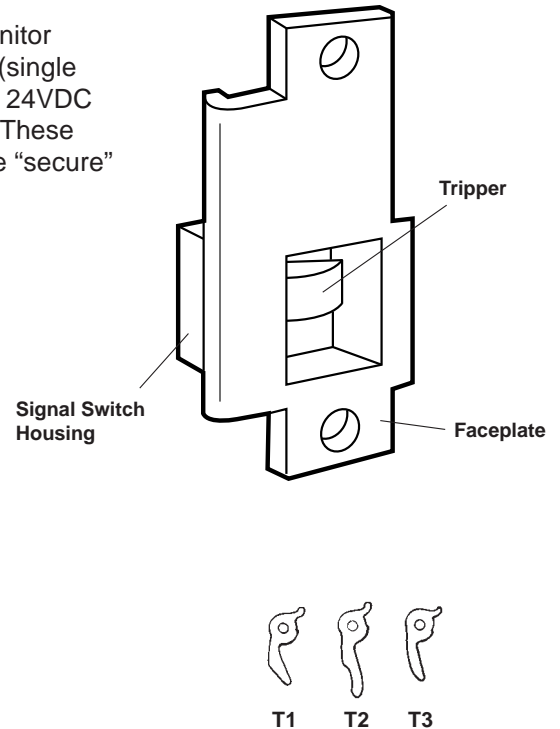
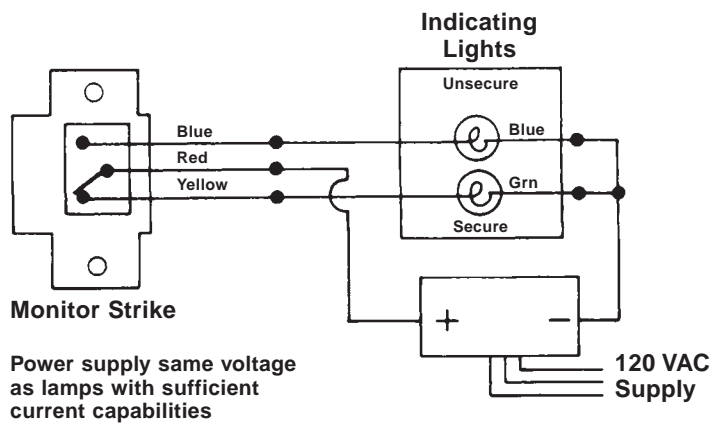
APPLICATION		
Model No.	Mounting Style	Door Type
MS 764	Concealed	Alum/Wood/HM
MS 766	Surface	Alum/Wood/HM
SPECIFICATIONS		
Current rating, resistive load .25 amps at 100 volts		
Power, resistive load DC 10 volt amps		
Maximum voltage, DC or AC 24 volts		
Switch operation SPDT		

# VON DUPRIN® MONITOR STRIKES

**Monitor Strikes** replace the standard box strike and add a TRIPPER that is depressed when the latchbolt is fully inserted in the strike. The tripper is stainless steel and activates an electric switch.

**SPDT Switch** — The monitor switch is supplied SPDT (single pole double throw), rated 24VDC @ 2 amperes (resistive). These contacts are shown in the “secure” position.

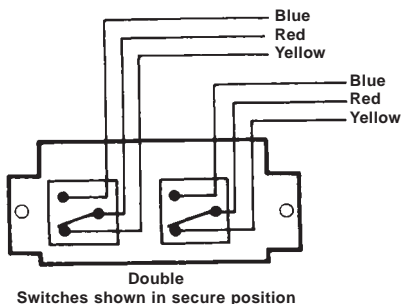
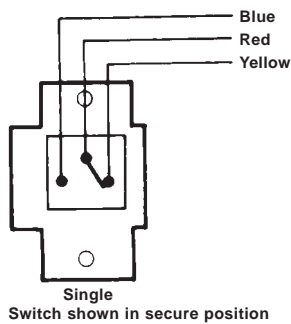
## BASIC MONITOR STRIKE CIRCUIT



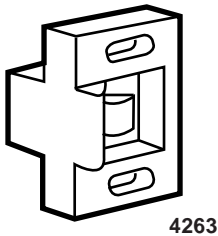
▲Tripper selection is based on the throw and shape of the latch bolt.

## FINISHES

US3, US4, US10, US10B, US26, US26D



# VON DUPRIN® SERIES 4263, 4268T1, 4582



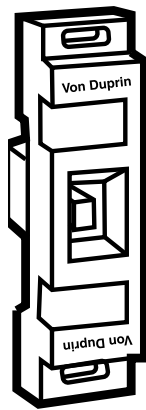
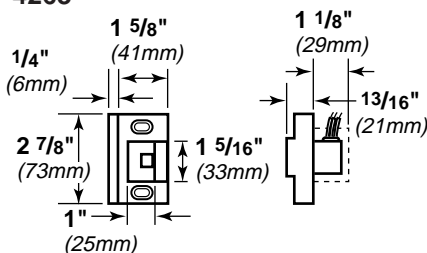
## 4263

Monitor strike for use with rim or surface vertical rod exit devices. The 4263 is nonhanded and features horizontal adjustment to compensate for misalignment of door and frame. The faceplate is drop forged brass. The tripper selection (-T1 or -T3) is based upon the lock to be used with. See Chart below. Two 4263 strikes may be used on 4754 mullion.

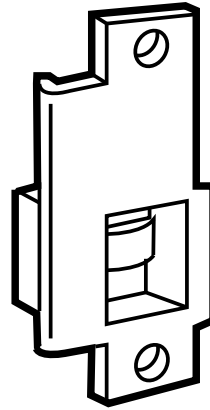
### COMPATIBILITY CHART

Von Duprin	
22	T3
2227	T1
33/35	T1
3327/3527	T1
44	T1
55	T1
88	T1
8827	T1
98/99	T3
9827/9927	T1
Monarch	
Rim (3/4" (19mm) throw)	T3
Yale	
1500 (5/8" (16mm) throw)	T1

## 4263



4268T1



4582

UL listed (GXHX R4504) fire exit hardware.

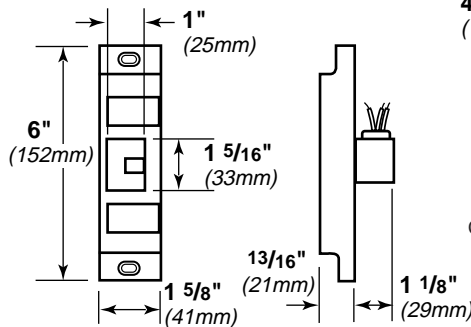
## 4268-T1

Monitor strike especially for rim fire devices. The 4268 features horizontal adjustment to compensate for misalignment of door and frame. The faceplate is brass or cast stainless steel. The SPDT signal switch is rated at 24VDC @ 2 amps (resistive) and is actuated by a stainless steel tripper.

### COMPATIBILITY CHART

22/22-F
33/35
88/88-F
98/99/98-F/99-F

## 4268-T1



## 4582

Monitor strike for use with mortise or cylindrical locks on single or pairs of doors with ANSI A115.3 frame cutout (frame modification required). The one piece faceplate and body is constructed of drop forged brass.

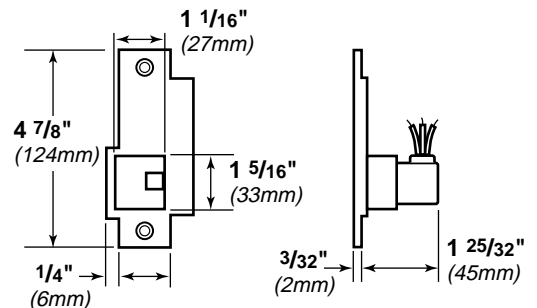
The tripper selection (-T1 or -T2) is based upon the lock to be used. See Chart below.

**Note:** When used with Von Duprin 7500 mortise lock, strike handing is opposite device handing.

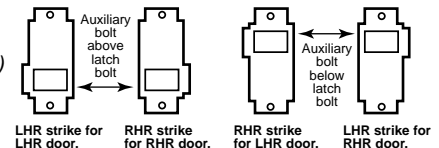
### COMPATIBILITY CHART

Von Duprin 7500 ML	T1
Arrow 5/8" (16mm) ML (LR)	T2
Corbin 5/8" (16mm) ML (LR)	T2
Falcon 5/8" (16mm) ML (LR)	T2
Russwin 5/8" (16mm) ML (LR)	T2
5000 ML (LR)	T2
Schlage 3/4" (19mm) Cyl.	T1
L90	T2
Yale 5/8" (16mm) ML (LR)	T2

## 4582



Caution: proper selection of handling required.



# VON DUPRIN® 4570-T1, 4670-T1

## 4570-T1

For use on single or double door applications with ANSI A115.2 frame cutout (frame modification required). See Chart below.

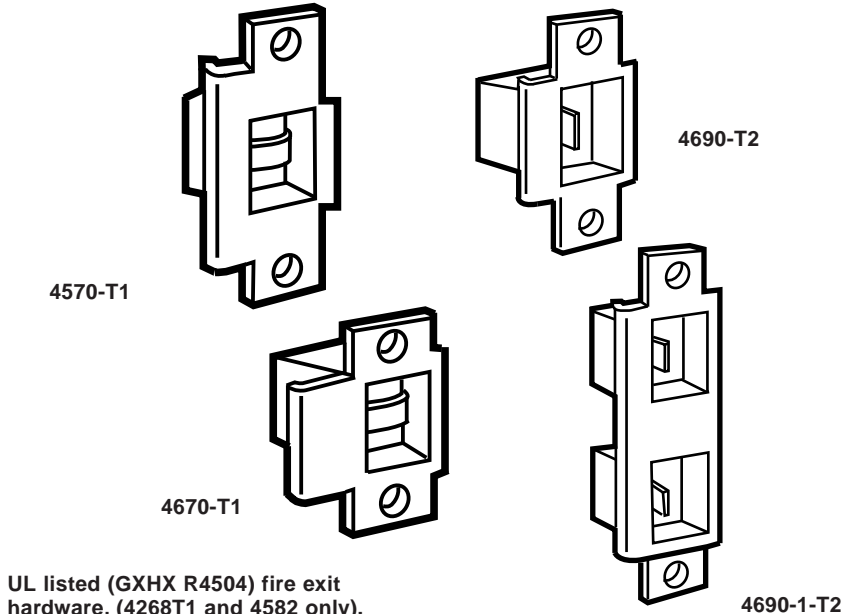
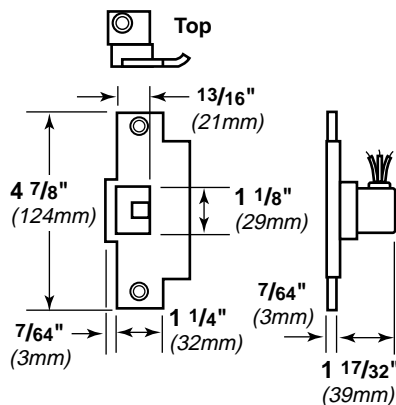
## 4570-T1

For use on single or double door applications with ANSI A115.3 frame cutout (frame modification required). See Chart below.

COMPATIBILITY CHART		
Adams-Rite	4510	T1
	8400	T1
Arrow	1/2" (13mm) Cyl.	T1
Best	9/16" (14mm) Cyl.	T1
Corbin	5/8" (16mm) Cyl.	T1
Dexter	7/16" (11mm) Cyl.	T1
Falcon	1/2" (13mm) Cyl.	T1
	9/16" (14mm) Cyl.	T1
Kwikset	1/2" (13mm) Cyl.	T1
Lockwood	1/2" (13mm) Cyl.	T1
Precision	1040 Auto. Flush Bolt	T1★
Ruswin	5/8" (16mm) Cyl.	T1
Sargent	1/2" (13mm) Cyl.	T1
Schlage	1/2" (13mm) Cyl.	T1
	5/8" (14mm) Cyl.	T1
Yale	1/2" (13mm) Cyl.	T1

★Special template required.

## 4570-T1



UL listed (GXHX R4504) fire exit hardware, (4268T1 and 4582 only).

## 4690-T2

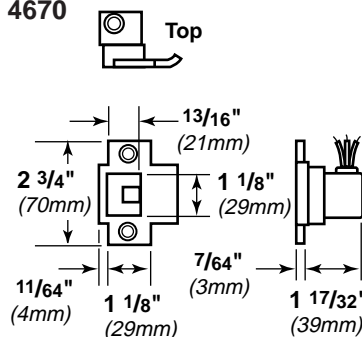
Use on wide stile double door applications.

## 4690-1-T2

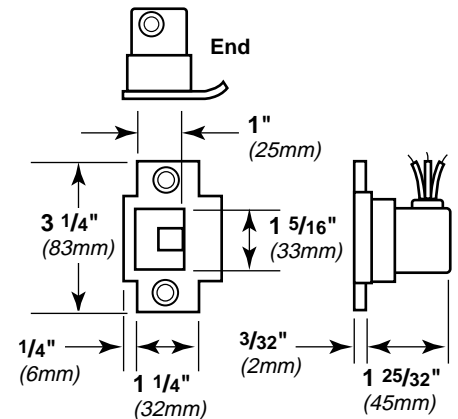
Use on narrow stile double door applications. (Contains two SPDT switches, one for each latchbolt).

COMPATIBILITY CHART			
	4690	4690-1	
Von Duprin	3347-F	—	T2
	3347	3347	T2
	9947	—	T2
	9947F	—	T2

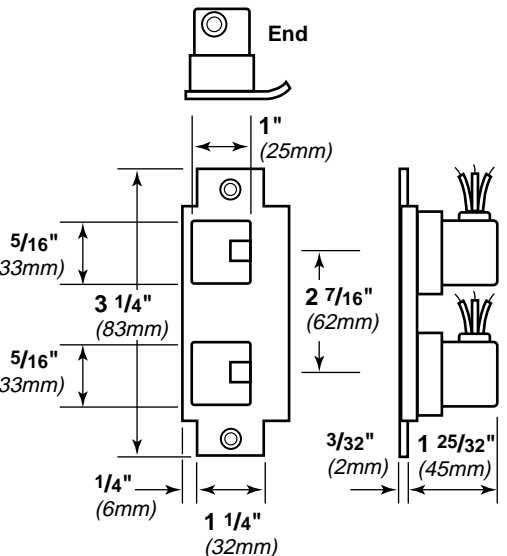
## 4670



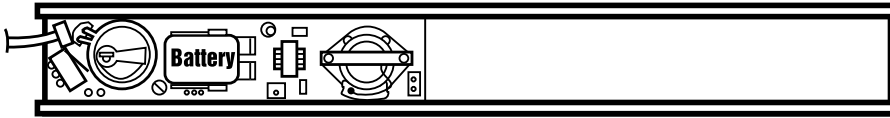
## 4690-T2



## 4690-1-T2



# VON DUPRIN® ALK EXIT ALARM KIT



The ALK battery alarm kit is a simple yet effective way to monitor the use of an exit device. While still a means of egress, the unit contains an internal horn, when the touchbar is depressed, the horn sounds to provide an audible means of signaling that the opening has been violated.

The key switch uses a standard 1 1/4" (32mm) mortise cylinder. The unit operates on one standard 9-volt transistor batteries. When batteries are weak the horn will emit an intermittent signal.

Alarm kits are available with a choice of two switch kits, S1 or S2. S1 monitors the touchpad is furnished standard, S2 optional latchbolt monitoring is recommended for use with surface vertical rod exit devices. Specify ALK-S2.

The ALK can be used with all Von Duprin push pad devices. Choices include 22ALK, 33/99ALK and 35/98ALK.

The ALK includes "EMERGENCY EXIT ONLY. ALARM WILL SOUND" decal for application on door.

## **PS9 POWER SUPPLY**

PS9 power supply provides 9VDC to power ALK alarm kits. The unit will power one or two alarm kits. Included is a 9 volt sealed battery for power backup in case of AC power failure. PS9 must be ordered separate.

# VON DUPRIN® MULLIONS

**Electrified removable mullions** are used with pairs of doors equipped with rim mounted exit devices. Each includes an electric cable with five conductors wired to a twist-apart plug. The soffit fitting is supplied with a pre-wired mating socket.

**4754** — Prepared to accept two 4263 monitor strikes. Use with all Von Duprin rim panic devices.

**Sizes for opening up to:**  
7'2" (2148mm), 8'2" (2489mm) or  
10'2" (3099mm)

## WIRING



Red  
Yellow  
Blue  
Black  
Black

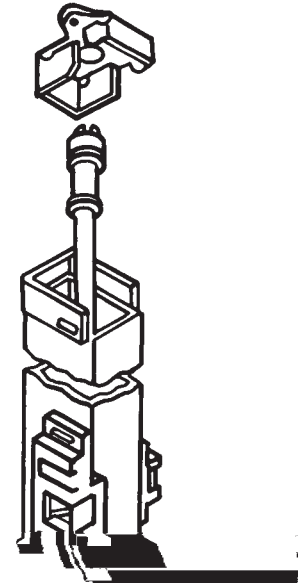
**4854** — Prepared to accept 6111 electric strike on one side and 299 strike on other side.

**9854** — Prepared to accept 6111 electric strike on one side and 499F strike on other side. Can be used with Von Duprin rim fire exit hardware, 1 1/2 hour rated doors up to 8809. UL listed GXHX R4504.

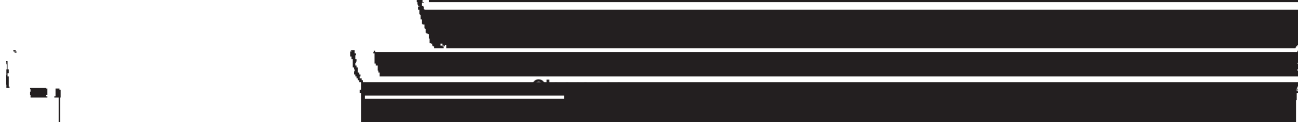
**KR9854** keyed removable option available.

## FINISHES

SP28 (Sprayed Aluminum)  
SP313 (Sprayed Dark Duranodic)  
Sprayed Black



## SOFFIT DETAILS



Finer block is to be supplied by the frame mgt. for conditions similar to this.

# VON DUPRIN® ADDITIONAL INFORMATION

## PS872 WIRING

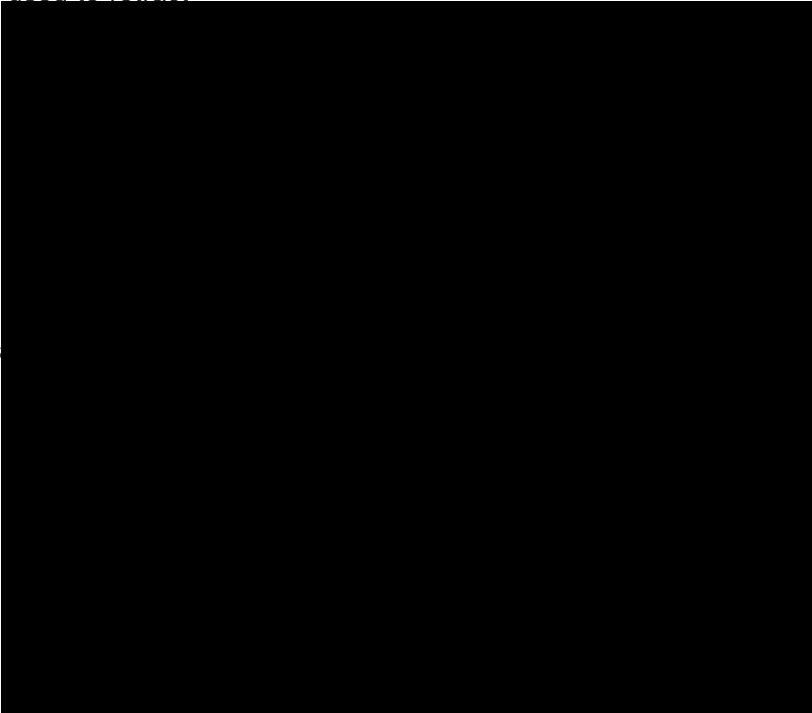
Field wiring of the power supply. When used to retract single or pairs of EL devices use input

When used for separate operation of two EL devices use inputs #1 and #2.

- A. 12 gauge — 200' (61 meters) max.
- 14 gauge — 100' (30 meters) max.

When using feed-thru hinge or pivots

- 12 gauge — 150' (46 meters) max.
- 14 gauge — 75' (22 meters) max.
- B. 18 gauge — 1,200' (366 meters) max.



## WIRE SIZE SELECTION

Length of wire run (in feet) (in meters)	Current requirement at 24 VDC			
	0-.5 Amp	.5-1 Amp	1-2 Amp	2-3 Amp
0-100 (0-30)	18	18	18	18
100-200 (30-61)	18	18	18	16
200-300 (61-91)	18	18	16	14
300-450 (91-137)	18	16	14	12
450-600 (137-183)	18	16	12	NR
600-900 (183-274)	16	14	NR	NR
900-1.200 (274-366)	14	12	NR	NR

## HANDING OF DOORS

